



DEPARTMENT OF REGULATORY AND ECONOMIC RESOURCES (RER)
BOARD AND CODE ADMINISTRATION DIVISION

NOTICE OF ACCEPTANCE (NOA)

MIAMI-DADE COUNTY
PRODUCT CONTROL SECTION
11805 SW 26 Street, Room 208
Miami, Florida 33175-2474
T (786) 315-2590 F (786) 315-2599
www.miamidade.gov/economy

K2 Systems, LLC
4665 North Ave. Suite 1
Oceanside, CA 92056

SCOPE:

This NOA is being issued under the applicable rules and regulations governing the use of construction materials. The documentation submitted has been reviewed and accepted by Miami-Dade County RER-Product Control Section to be used in Miami-Dade County and other areas where allowed by the Authority Having Jurisdiction (AHJ).

This NOA shall not be valid after the expiration date stated below. The Miami-Dade County Product Control Section (In Miami-Dade County) and/ or the AHJ (in areas other than Miami-Dade County) reserve the right to have this product or material tested for quality assurance purposes. If this product or material fails to perform in the accepted manner, the manufacturer will incur the expense of such testing and the AHJ may immediately revoke, modify, or suspend the use of such product or material within their jurisdiction. RER reserves the right to revoke this acceptance if it is determined by Miami-Dade County Product Control Section that this product or material fails to meet the requirements of the applicable building code.

This product is approved as described herein and has been designed to comply with the Florida Building Code, including the High Velocity Hurricane Zone.

DESCRIPTION: K2 Flash, and Splice Foot and K2 Drop N Lock Aluminum Solar Mounts

APPROVAL DOCUMENT: Drawing titled “Splice Foot X, Splice Foot XL and K2 Flash Kit and Drop N Lock Kit”, sheets 1 through 22 of 22, prepared by K2 Systems, dated 10/31/2023 and 01/30/2024, signed and sealed by Paul K. Zacher, P.E., bearing the Miami-Dade County Product Control revision stamp with the Notice of Acceptance number and expiration date by the Miami-Dade County Product Control Section.

MISSILE IMPACT RATING: None

LABELING: Each box shall bear a permanent label with the manufacturer's name or logo, city, state and following statement: "Miami-Dade County Product Control Approved or MDCPCA", unless otherwise noted herein.

Limitation: The allowable fastener uplift and lateral on drawing sheets 3 and 6 are total (for the 2 fasteners).

RENEWAL of this NOA shall be considered after a renewal application has been filed and there has been no change in the applicable building code negatively affecting the performance of this product.

TERMINATION of this NOA will occur after the expiration date or if there has been a revision or change in the materials, use, and/or manufacture of the product or process. Misuse of this NOA as an endorsement of any product, for sales, advertising or any other purposes shall automatically terminate this NOA. Failure to comply with any section of this NOA shall be cause for termination and removal of NOA.

ADVERTISEMENT: The NOA number preceded by the words Miami-Dade County, Florida, and followed by the expiration date may be displayed in advertising literature. If any portion of the NOA is displayed, then it shall be done in its entirety.

INSPECTION: A copy of this entire NOA shall be provided to the user by the manufacturer or its distributors and shall be available for inspection at the job site at the request of the Building Official.

This NOA revises NOA # 23-1220.02 and consists of this page 1, evidence pages E-1, E-2, E-3 and E-4, as well as approval document mentioned above.

The submitted documentation was reviewed by **Carlos M. Utrera, P.E.**



04/24/24

NOA No: 24-0401.04
Expiration Date: February 17, 2027
Approval Date: May 2, 2024
Page 1

NOTICE OF ACCEPTANCE: EVIDENCE SUBMITTED

1. Evidence submitted under previous NOAs

A. DRAWINGS

1. Drawing titled “Splice Foot X and Everflash eComp Kit”, sheets 1 through 9 of 9, prepared by K2 Systems, dated on 01/11/2022, signed and sealed by Paul K. Zacher, P.E. on 05/09/2022.

B. TESTS “Submitted under NOA # 21-0727.03”

1. Test report on Uplift and Shear Allowable Loads of the eComp Flashing Solar Mount per ASTM D7147-11, prepared by Intertek, Test Report No. **M1451.02-119-18 R0**, dated 06/29/2021, signed and sealed by Daniel C. Culbert, P.E.
2. Test report on Uplift and Shear Allowable Loads of the Splice Foot per ASTM D7147-11, prepared by Intertek, Test Report No. **M1453.02-119-18 R0**, dated 06/29/2021, signed and sealed by Daniel C. Culbert, P.E.
3. Test report on Wind Driven Rain Resistance of the eComp Flashing per TAS 100(A)-95, prepared by Intertek, Test Report No. **M1451.01-109-18**, dated 05/18/2021, signed and sealed by Daniel C. Culbert, P.E.
4. Test report on Wind Driven Rain Resistance of the Splice Foot per TAS 100(A)-95, prepared by Intertek, Test Report No. **M1453.01-109-18**, dated 05/18/2021, signed and sealed by Daniel C. Culbert, P.E.

C. CALCULATIONS “Submitted under NOA # 21-0727.03”

1. Anchor calculations prepared by PZ Structural Engineers, dated 01/24/2022, signed and sealed by Paul K. Zacher, P.E.

D. MATERIAL CERTIFICATIONS

1. None.

E. QUALITY ASSURANCE

1. Miami-Dade Department of Regulatory and Economic Resources (RER).

F. STATEMENTS “Submitted under NOA # 21-0727.03”

1. Statement letter of code conformance to the 7th edition (2020) of the FBC issued by PZ Structural Engineers, dated 01/24/2022, signed and sealed by Paul K. Zacher, P.E.
2. Statement letter of no financial interest issued by PZ Structural Engineers, dated 07/13/2021, signed and sealed by Paul K. Zacher, P.E.



Carlos M. Utrera, P.E.
Product Control Examiner
NOA No: 24-0401.04
Expiration Date: February 17, 2027
Approval Date: May 2, 2024

NOTICE OF ACCEPTANCE: EVIDENCE SUBMITTED

2. Evidence submitted under NOA # 22-0719.06

A. DRAWINGS

1. Drawing titled “Splice Foot X, Splice Foot XL and Everflash eComp Kit”, sheets 1 through 12 of 12, prepared by K2 Systems, dated on 01/11/2022, with revision C dated 07/07/2022, signed and sealed by Paul K. Zacher, P.E.

B. TESTS

1. Test report on Uplift and Shear Allowable Loads of the Splice Foot XL Solar Mount per ASTM D7147-11, prepared by Intertek, Test Report No. **N8734.01-119-18-R0**, dated 06/29/2022, signed and sealed by Vinu J. Abraham, P.E.
3. Test report on Wind Driven Rain Resistance of the Splice Foot XL Solar Mount per TAS 100(A)-95, prepared by Intertek, Test Report No. **N2321.01-109-18**, dated 02/23/2022, signed and sealed by Vinu J. Abraham, P.E.

C. CALCULATIONS

1. Anchor calculations prepared by PZ Structural Engineers, dated 07/11/2022, signed and sealed by Paul K. Zacher, P.E.

D. MATERIAL CERTIFICATIONS

1. None.

E. QUALITY ASSURANCE

1. Miami-Dade Department of Regulatory and Economic Resources (RER).

F. STATEMENTS

1. Statement letter of code conformance to the 7th edition (2020) of the FBC issued by PZ Structural Engineers, dated 07/11/2022, signed and sealed by Paul K. Zacher, P.E.
2. Statement letter of no financial interest issued by PZ Structural Engineers, dated 07/11/2022, signed and sealed by Paul K. Zacher, P.E.



Carlos M. Utrera, P.E.
Product Control Examiner
NOA No: 24-0401.04
Expiration Date: February 17, 2027
Approval Date: May 2, 2024

NOTICE OF ACCEPTANCE: EVIDENCE SUBMITTED

3. Evidence submitted under NOA # 23-0606.06 and NOA # 23-1220.02

A. DRAWINGS

1. Drawing titled “Splice Foot X, Splice Foot XL and K2 Flash Kit”, sheets 1 through 17 of 17, prepared by K2 Systems, dated on 10/31/2023, signed and sealed by Paul K. Zacher, P.E.

B. TESTS “Submitted under NOA # 23-0606.06”

1. Test report on Uplift and Shear Allowable Loads of the K2 Flash Solar Mount per ASTM D7147-11, prepared by Intertek, Test Report No. **N9355.02-119-18**, dated 10/11/2022, signed and sealed by Tanya A. Dolby, P.E.
3. Test report on Wind Driven Rain Resistance of the K2 Flash Solar Mount per TAS 100(A)-95, prepared by Intertek, Test Report No. **N9355.01-109-18**, dated 02/24/2023, signed and sealed by Tanya A. Dolby, P.E.

C. CALCULATIONS “Submitted under NOA # 23-0606.06”

1. Anchor calculations prepared by PZ Structural Engineers, dated 05/31/2023, signed and sealed by Paul K. Zacher, P.E.

D. MATERIAL CERTIFICATIONS

1. None.

E. QUALITY ASSURANCE

1. Miami-Dade Department of Regulatory and Economic Resources (RER).

F. STATEMENTS

1. Statement letter of code conformance to the 8th edition (2023) of the FBC, issued by PZ Structural Engineers, dated 10/31/2023, signed and sealed by Paul K. Zacher, P.E.
2. Statement letter of no financial interest, issued by PZ Structural Engineers, dated 10/31/2023, signed and sealed by Paul K. Zacher, P.E.

“Submitted under NOA # 23-0606.06”

3. Statement letter of code conformance to the 7th edition (2020) of the FBC, issued by PZ Structural Engineers, dated 05/31/2023, signed and sealed by Paul K. Zacher, P.E.
4. Statement letter of no financial interest, issued by PZ Structural Engineers, dated 05/31/2023, signed and sealed by Paul K. Zacher, P.E.



Carlos M. Utrera, P.E.
Product Control Examiner
NOA No: 24-0401.04
Expiration Date: February 17, 2027
Approval Date: May 2, 2024

NOTICE OF ACCEPTANCE: EVIDENCE SUBMITTED

4. New evidence submitted

A. DRAWINGS

1. Drawing titled “Splice Foot X, Splice Foot XL and K2 Flash Kit and Drop N Lock Kit”, sheets 1 through 22 of 22, prepared by K2 Systems, dated 10/31/2023 and 01/30/2024, signed and sealed by Paul K. Zacher, P.E.

B. TESTS

1. Test report on Uplift and Shear Allowable Loads of the Drop N Lock Solar Mount per ASTM D7147-11, prepared by Intertek, Test Report No. **Q8388.02-119-18**, dated 02/26/2024, signed and sealed by Tanya A. Dolby, P.E.
2. Test report on Wind Driven Rain Resistance of the Drop N Lock, Flat Tile Solar Mount per TAS 100(A)-95, prepared by Intertek, Test Report No. **Q8388.01-119-18**, dated 03/21/2024, signed and sealed by Tanya A. Dolby, P.E.
3. Test report on Wind Driven Rain Resistance of the Drop N Lock, W Tile Solar Mount per TAS 100(A)-95, prepared by Intertek, Test Report No. **Q8395.01-119-18**, dated 03/21/2024, signed and sealed by Tanya A. Dolby, P.E.

C. CALCULATIONS

1. Anchor calculations prepared by PZ Structural Engineers, dated 03/25/2024, signed and sealed by Paul K. Zacher, P.E.

D. MATERIAL CERTIFICATIONS

1. None.

E. QUALITY ASSURANCE

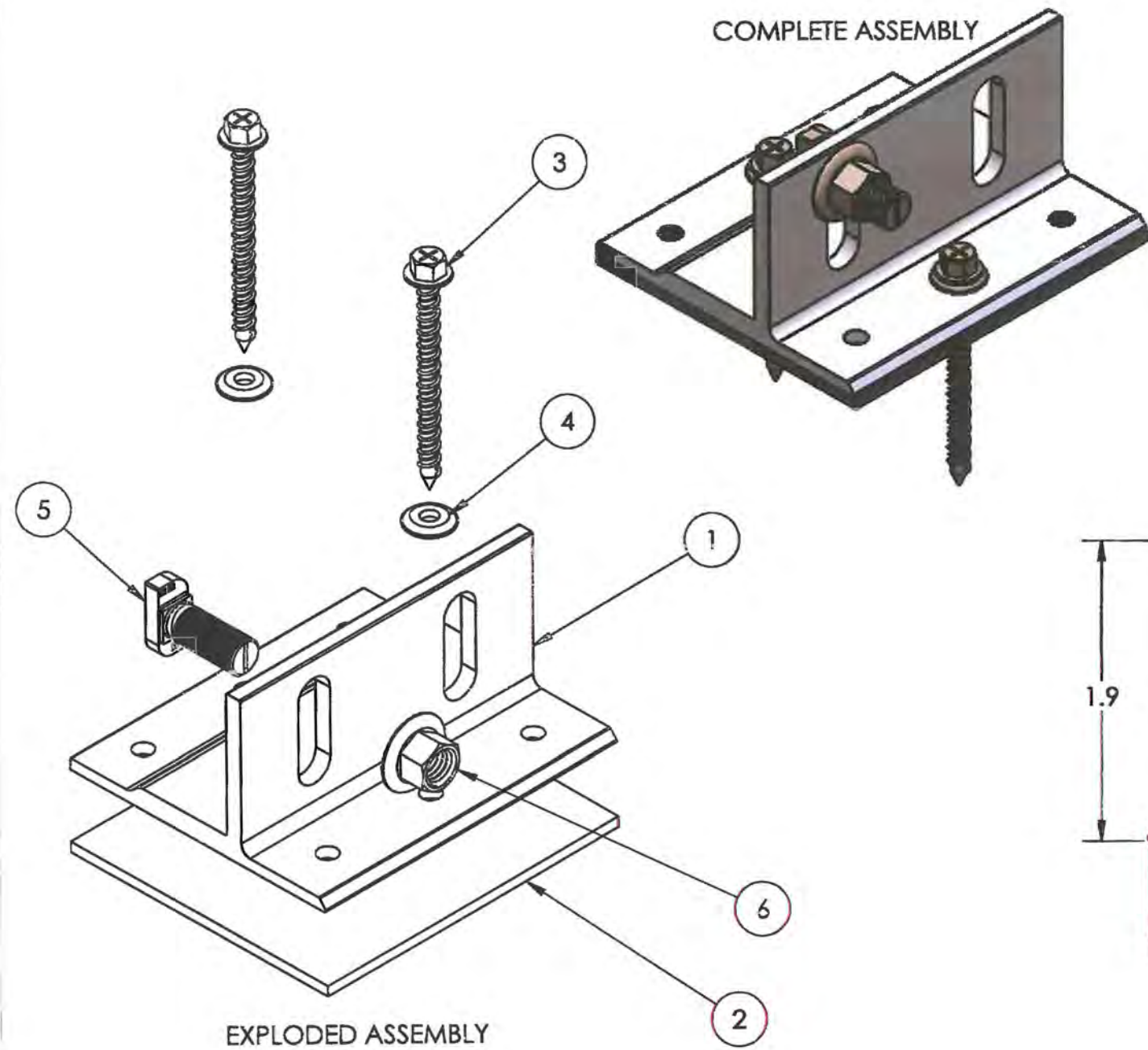
1. Miami-Dade Department of Regulatory and Economic Resources (RER).

F. STATEMENTS

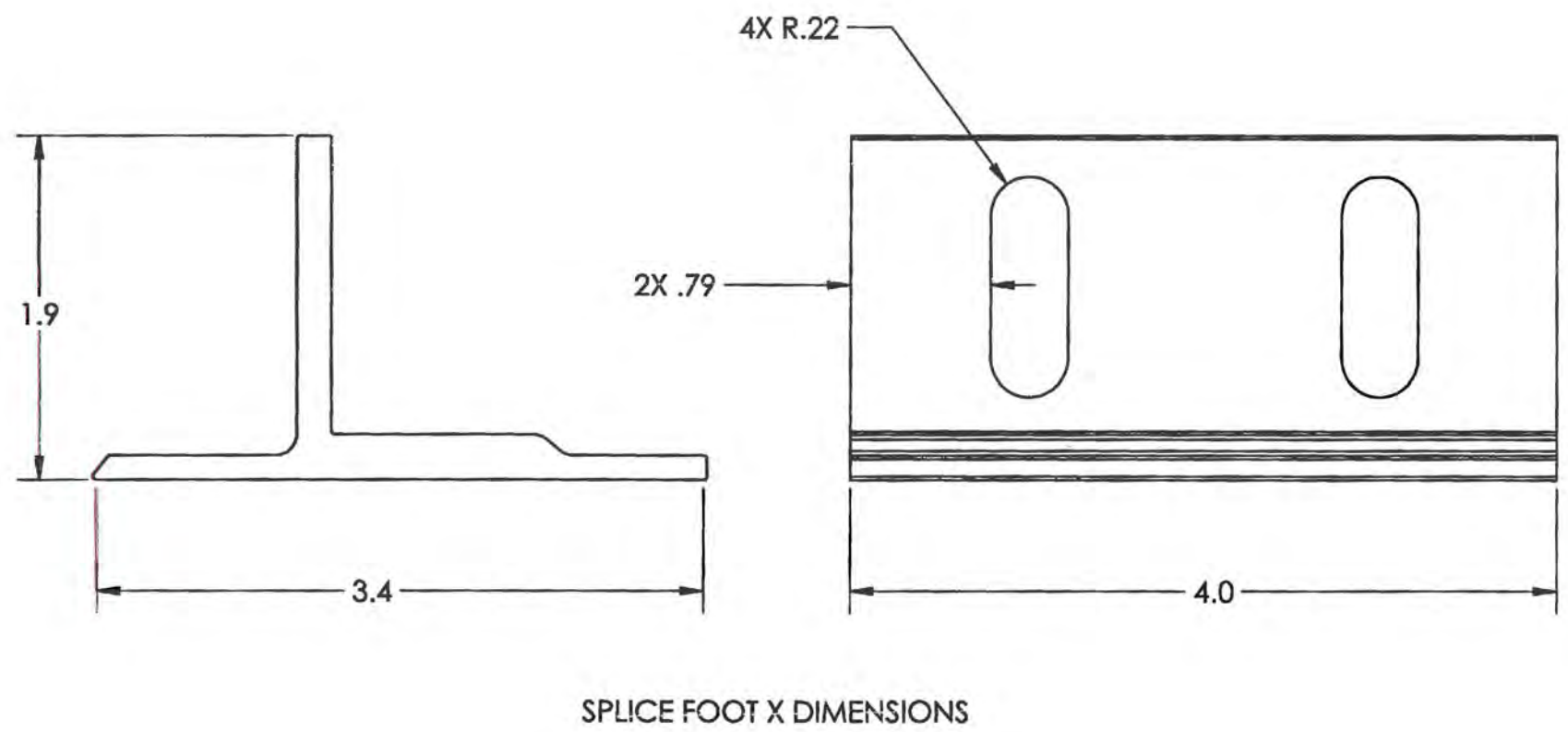
1. Statement letter of code conformance to the 8th edition (2023) of the FBC, issued by PZ Structural Engineers, dated 03/25/2024, signed and sealed by Paul K. Zacher, P.E.
2. Statement letter of no financial interest, issued by PZ Structural Engineers, dated 03/25/2024, signed and sealed by Paul K. Zacher, P.E.



Carlos M. Utrera, P.E.
Product Control Examiner
NOA No: 24-0401.04
Expiration Date: February 17, 2027
Approval Date: May 2, 2024



PART BILL OF MATERIALS			
ITEM	QTY	DESCRIPTION	ALLOY
1	1	SPLICE FOOT X	AL 6061-T6, 6005A-T5/T61 OR EQUIVALENT
2	1	SPLICE FOOT BUTYL, 3 1/2"X4"	N/A
3	2	K2 WOOD SCREW MINI	STAINLESS STEEL
4	2	SEALING WASHER	SS AND EPDM
5	1	T-BOLT 28/15 M10X25 SS	STAINLESS STEEL
6	1	HEX FLANGE NUT SERR, SS, M10	STAINLESS STEEL



PE SIGNATURE: _____ PE DATE: 10/31/2023

2023 FLORIDA BUILDING CODE, 8TH EDITION
ASCE 7 VERSION: ASCE 7-16 & ASCE 7-22

PRODUCT REVISED
as complying with the Florida Building Code
NOA-No. 24-0401.04
Expiration Date 02/17/2027
By *[Signature]*
Miami-Dade Product Control

DESCRIPTION: SPLICE FOOT X KIT ASSEMBLY

REVISION	DATE	DESCRIPTION
E	05/25/2023	

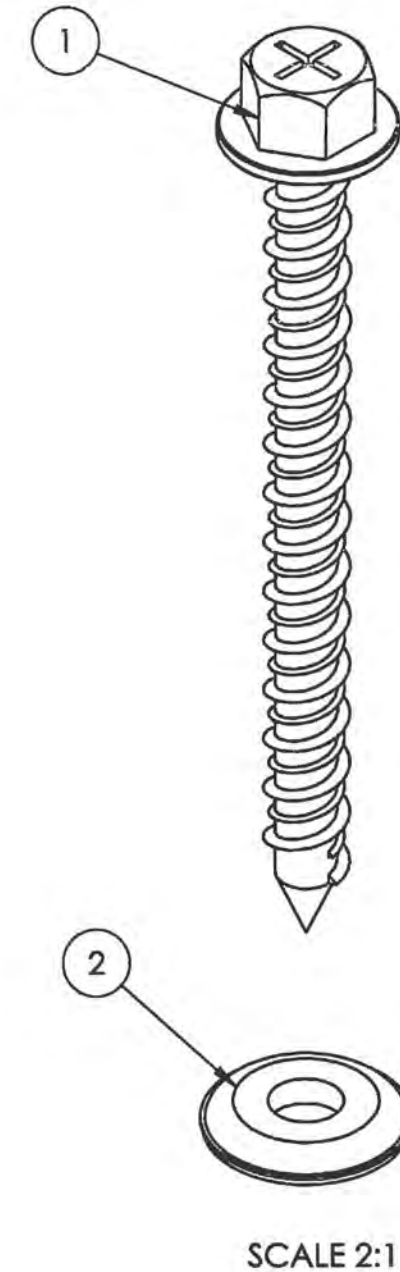
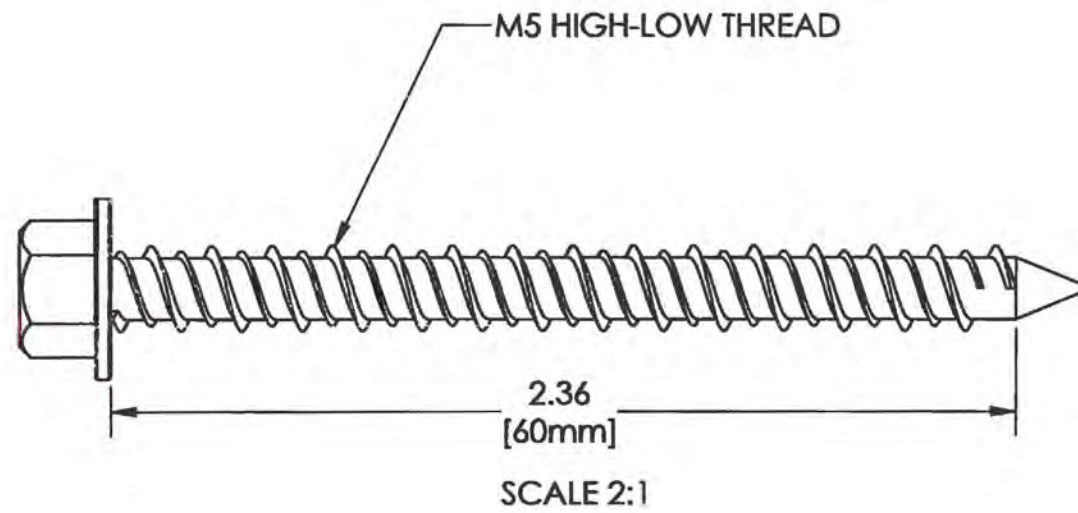
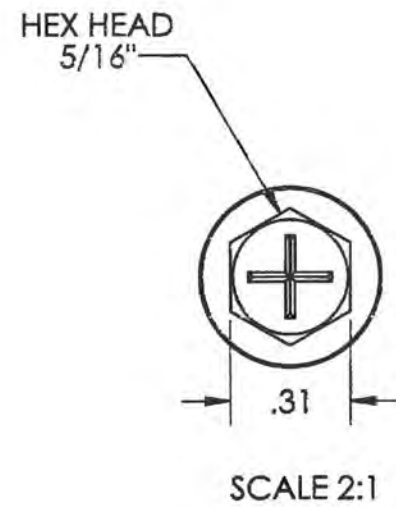
DRAWN BY: R. ESTRADA

Project: Miami Dade County NOA

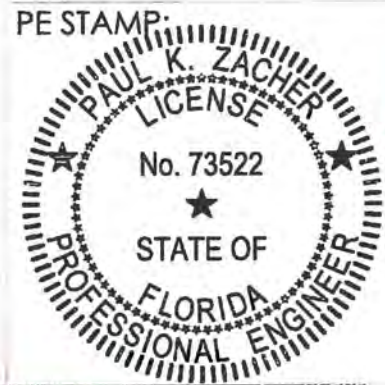
K2 Systems
4665 North Avenue Suite I
Oceanside, CA 92056
phone 760.301.5300

SCREW MATERIAL: STAINLESS STEEL 304

PART BILL OF MATERIALS			
ITEM	QTY	DESCRIPTION	MATERIAL
1	1	K2 WOOD SCREW MINI	STAINLESS STEEL
2	1	SEALING WASHER	STAINLESS STEEL AND EPDM



PRODUCT REVISED
 as complying with the Florida
 Building Code
 NOA-No. 24-0401.04
 Expiration Date 02/17/2027
 By *R. Estrada*
 Miami-Dade Product Control



PE SIGNATURE:

PE DATE:
10/31/2023

2023 FLORIDA BUILDING CODE, 8TH EDITION
 ASCE 7 VERSION: ASCE 7-16 & ASCE 7-22

DESCRIPTION:
K2 WOOD SCREW MINI DETAIL

REVISION	DATE	DESCRIPTION
E	5/25/2023	

DRAWN BY
R. ESTRADA

Project:
Miami Dade County NOA



K2 Systems
 4665 North Avenue Suite 1
 Oceanside, CA 92056
 phone 760.301.5300

SPLICE FOOT X FOR COMPOSITION SHINGLE ROOF MOUNTING

REFER TO K2 ENGINEERING CHARTS FOR APPLICABLE CROSSRAIL SPANS

FOR USE AS A RAIL SPLICE, DISTANCE TO THE NEXT SPLICE FOOT X MOUNT MUST BE EQUAL OR LESS THAN THE MAX ALLOWABLE ATTACHMENT SPAN PER K2 ENGINEERING CHARTS

NO PILOT HOLE REQUIRED FOR SELF DRILLING SCREWS

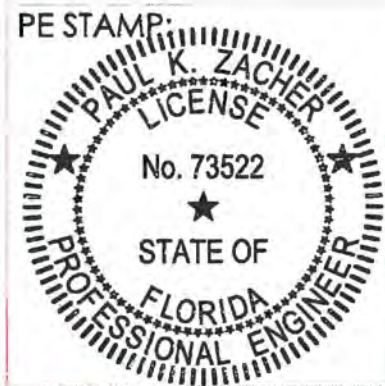
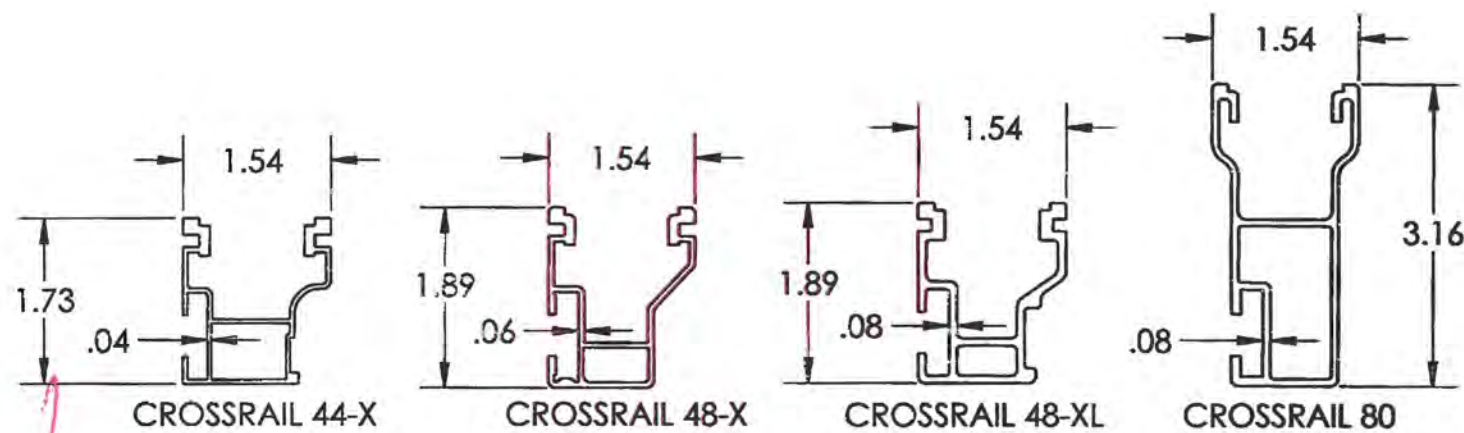
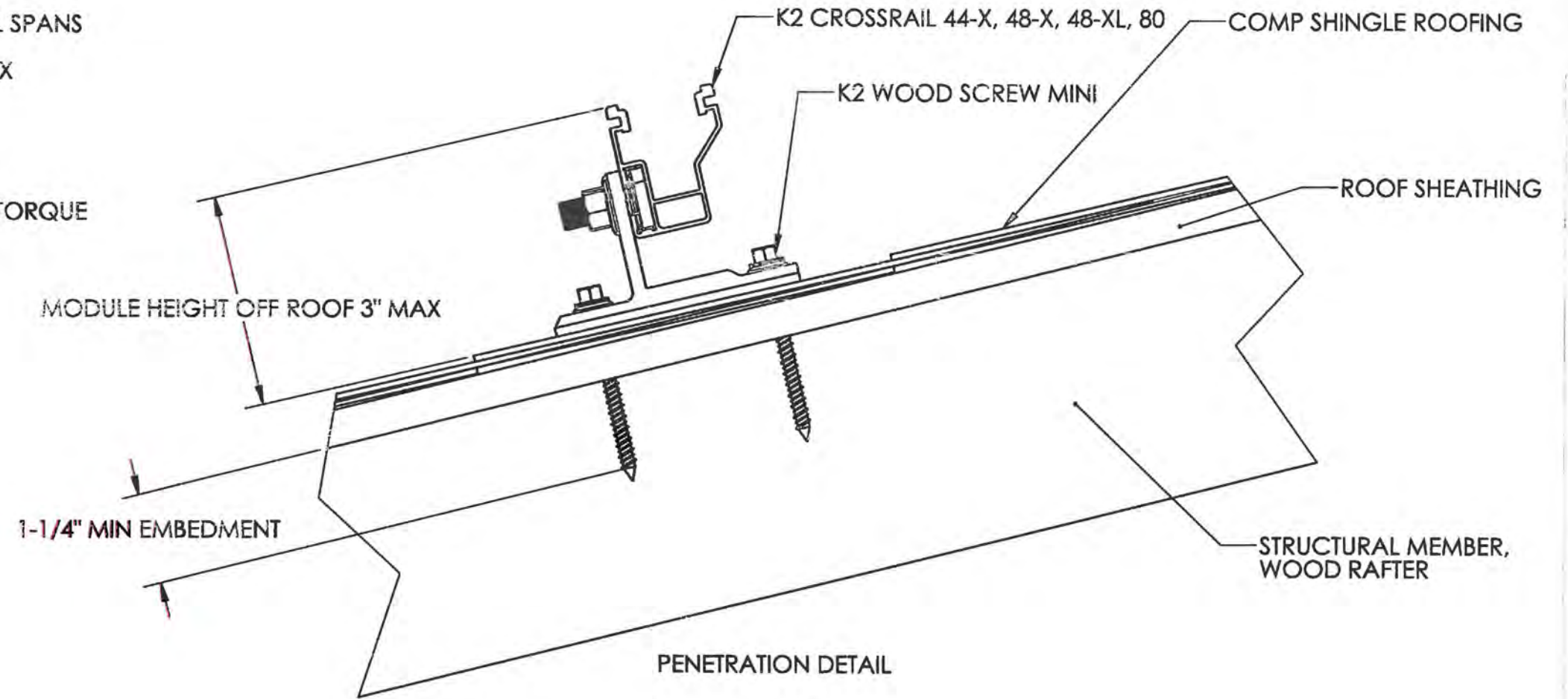
REFER TO K2 CROSSRAIL INSTLATION MANUAL FOR HARDWARE TORQUE

STRUCTURAL MEMBER SPECIFICATIONS:

MINIMUM WOOD GRADE = SPF #2
MINIMUM SPECIFIC GRAVITY = 0.42

ALLOWABLE FASTENER UPLIFT = 507.7 LBS
ALLOWABLE FASTENER LATERAL = 216 LBS

MINIMUM FASTENER EDGE DISTANCE = 0.3"
MINIMUM FASTENER END DISTANCE = 1.4"



PE SIGNATURE:

PE DATE:
10/31/2023

2023 FLORIDA BUILDING CODE, 8TH EDITION
ASCE 7 VERSION: ASCE 7-16 & ASCE 7-22

PRODUCT REVISED
as complying with the Florida
Building Code
NOA-No. 24-0401.04
Expiration Date 02/17/2027
By *[Signature]*
Miami-Dade Product Control



K2 Systems
4665 North Avenue Suite 1
Oceanside, CA 92056
phone 760.301.5300

DESCRIPTION:

SPLICE FOOT X ATTACHMENT DETAIL

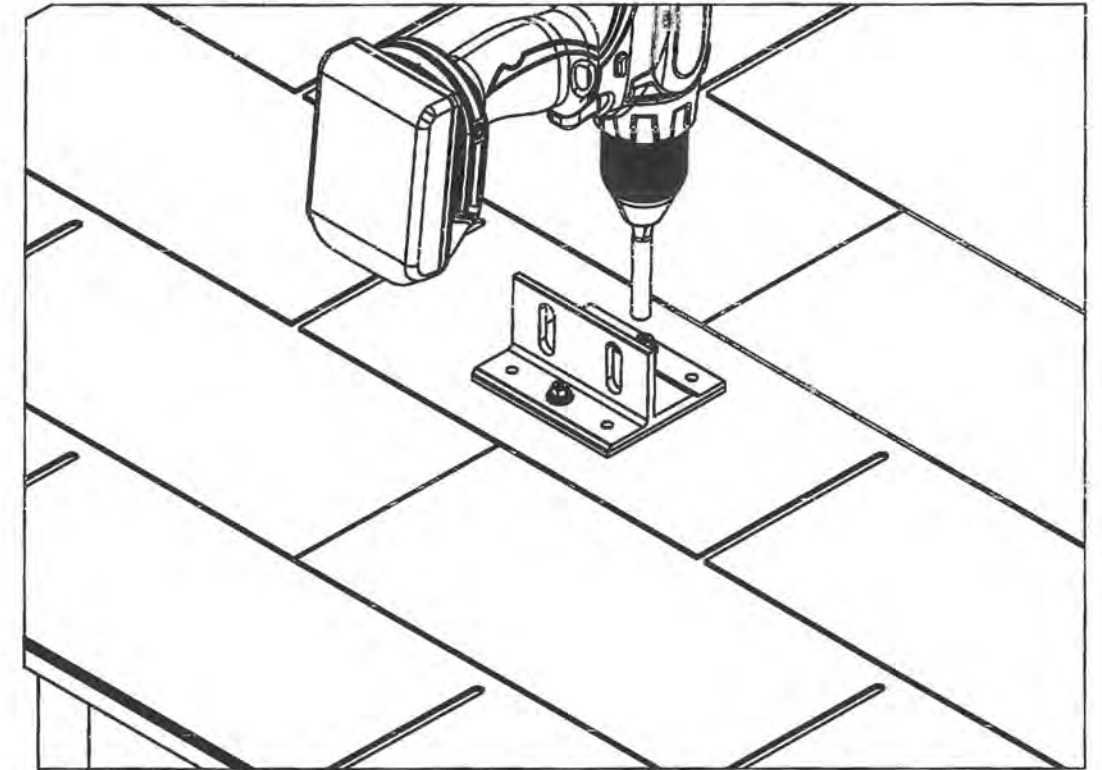
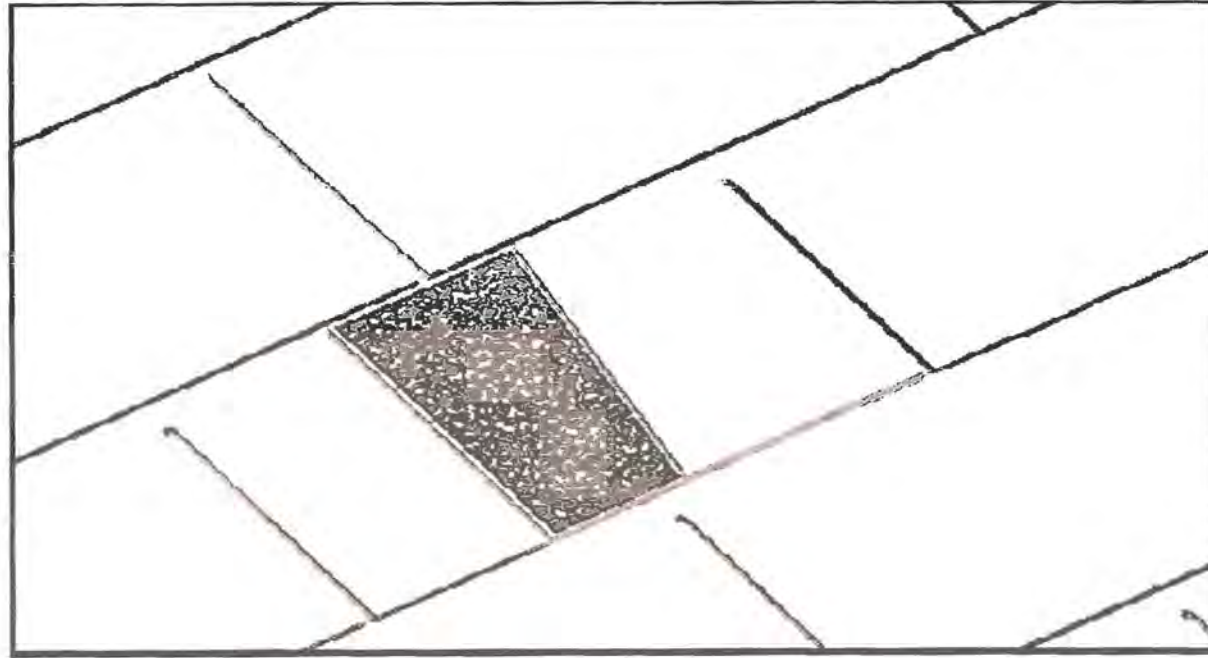
REVISION	DATE	DESCRIPTION
E	5/25/2023	

DRAWN BY
R. ESTRADA

Project:

Miami Dade County NOA

REUIRED TOOLS:
 5/16" SOCKET
 SOCKET WRENCH
 COMP SHINGLE START COURSE OR K2 BUTYL (FOR UNEVEN SURFACES)



STEP 1:
 Corner out and mark array on roof. Snap chalk lines for rail location within shingle course. (Refer to module manufacturer frame clamping zones). Mark mounting locations over rafters and chalk lines within shingle course. Refer to engineering letters for allowable mount spacing.

STEP 1 (CONTINUED):
LEVELING UNEVEN ROOF SURFACES:
 If shingle surface is not level, use an additional piece of K2 butyl or a standard comp shingle starter course to level out the roof surface under the Splice Foot.

STEP 2:
 Locate the rafter and clean roofing surface for mount placement. Peel back protective paper from butyl, and stick down mount on a single shingle course with the two center holes lining up over the rafter. Position all mounts in the same direction with the long side towards the ridge. Drive provided lag screws into the rafter until the EPDM seal begins to deform, providing a positive seal. Do not over torque.



PE SIGNATURE:

PE DATE:
 10/31/2023

2023 FLORIDA BUILDING CODE, 8TH EDITION
 ASCE 7 VERSION: ASCE 7-16 & ASCE 7-22

PRODUCT REVISED
 as complying with the Florida
 Building Code
 NOA-No. 24-0401.04
 Expiration Date 02/17/2027
 By *R. Estrada*
 Miami-Dade Product Control

DESCRIPTION:

SPICE FOOT X INSTALLATION

REVISION	DATE	DESCRIPTION
E	5/25/2023	

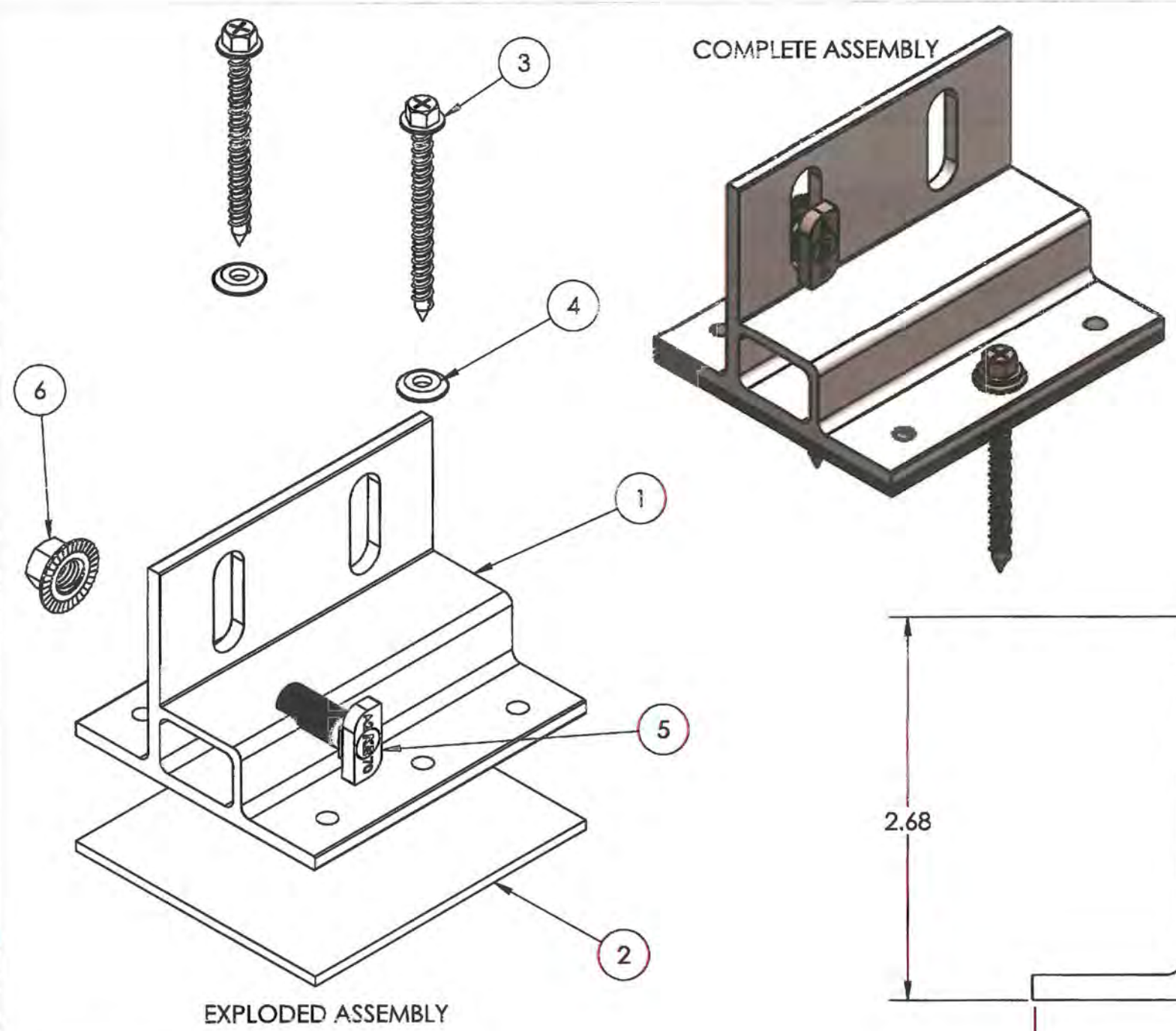
DRAWN BY
 R. ESTRADA

Project:

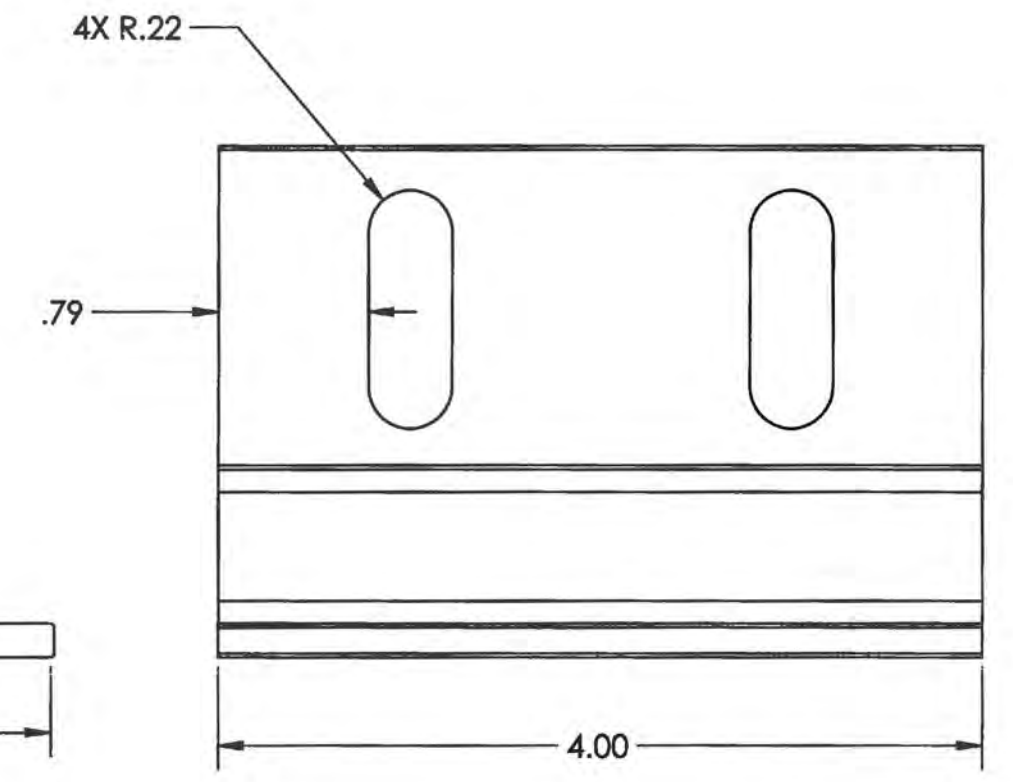
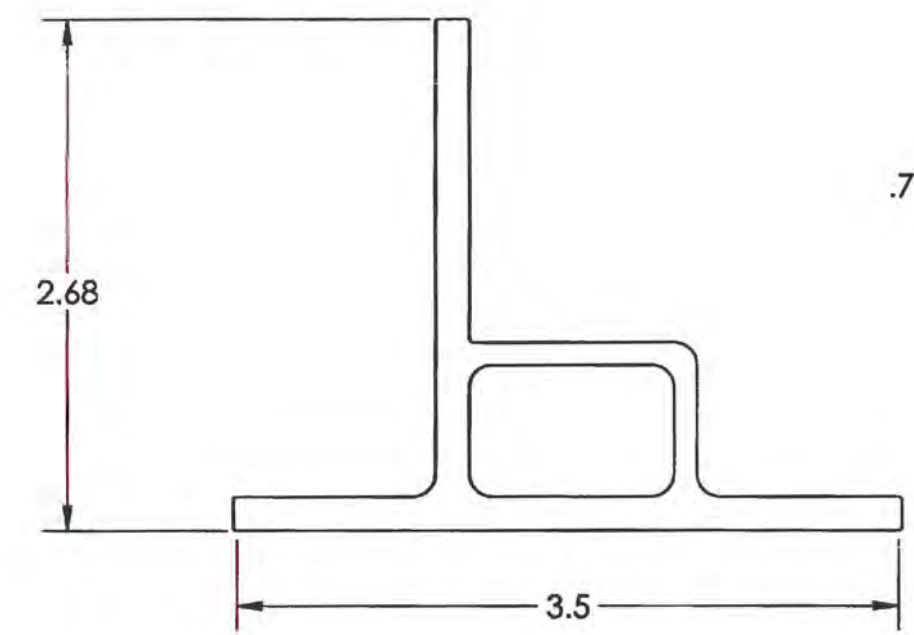
Miami Dade County NOA



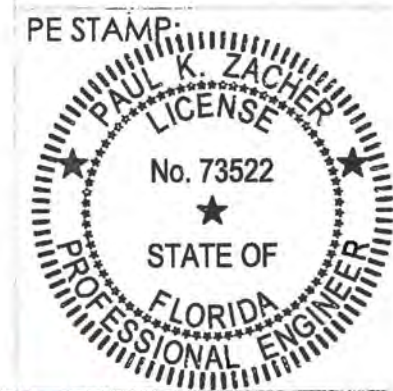
K2 Systems
 4665 North Avenue Suite I
 Oceanside, CA 92056
 phone 760.301.5300



PART BILL OF MATERIALS			
ITEM	QTY	DESCRIPTION	ALLOY
1	1	SPLICE FOOT XL	AL 6061-T6, 6005A-T5/T61 OR EQUIVALENT
2	1	SPLICE FOOT BUTYL, 3 1/2"X4"	N/A
3	2	K2 WOOD SCREW MINI	STAINLESS STEEL
4	2	SEALING WASHER	SS AND EPDM
5	1	T-BOLT 28/15 M10X25 SS	STAINLESS STEEL
6	1	HEX FLANGE NUT SERR, SS, M10	STAINLESS STEEL



SPLICE FOOT XL DIMENSIONS



PE SIGNATURE:

PE DATE:
10/31/2023

2023 FLORIDA BUILDING CODE, 8TH EDITION
ASCE 7 VERSION: ASCE 7-16 & ASCE 7-22

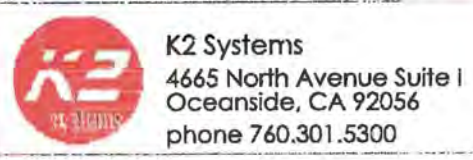
PRODUCT REVISED
as complying with the Florida
Building Code
NOA-No. 24-0401.04
Expiration Date 02/17/2027
By *R. Estrada*
Miami-Dade Product Control

DESCRIPTION:
SPLICE FOOT XL KIT ASSEMBLY

REVISION	DATE	DESCRIPTION
E	5/25/2023	

DRAWN BY
R. ESTRADA

Project:
Miami Dade County NOA



SPLICE FOOT XL FOR COMPOSITION SHINGLE ROOF MOUNTING

REFER TO K2 ENGINEERING CHARTS FOR APPLICABLE CROSSRAIL SPANS

FOR USE AS A RAIL SPLICE, DISTANCE TO THE NEXT SPLICE FOOT XL MOUNT MUST BE EQUAL OR LESS THAN THE MAX ALLOWABLE ATTACHMENT SPAN PER K2 ENGINEERING CHARTS

NO PILOT HOLE REQUIRED FOR SELF DRILLING SCREWS

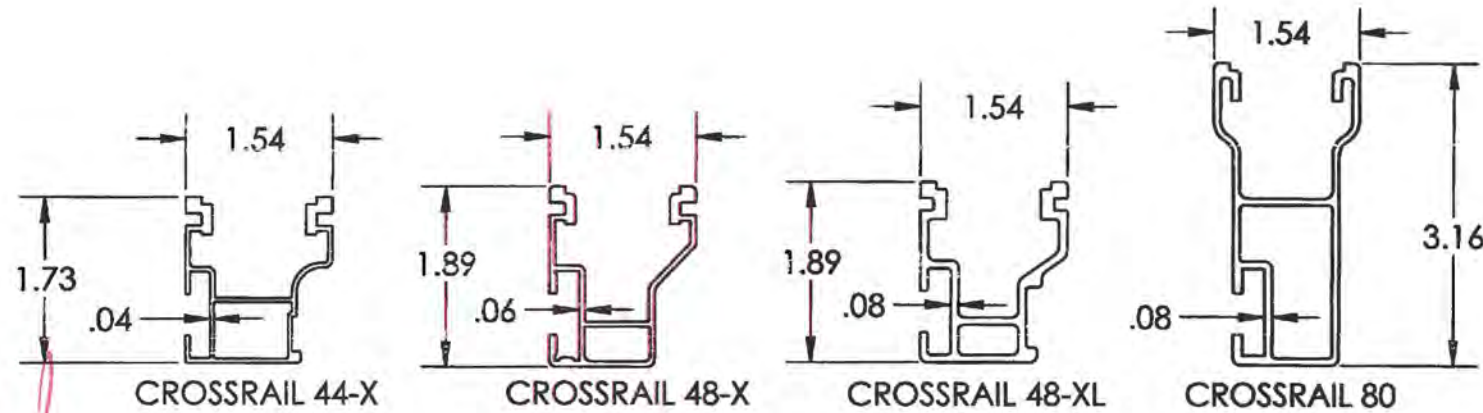
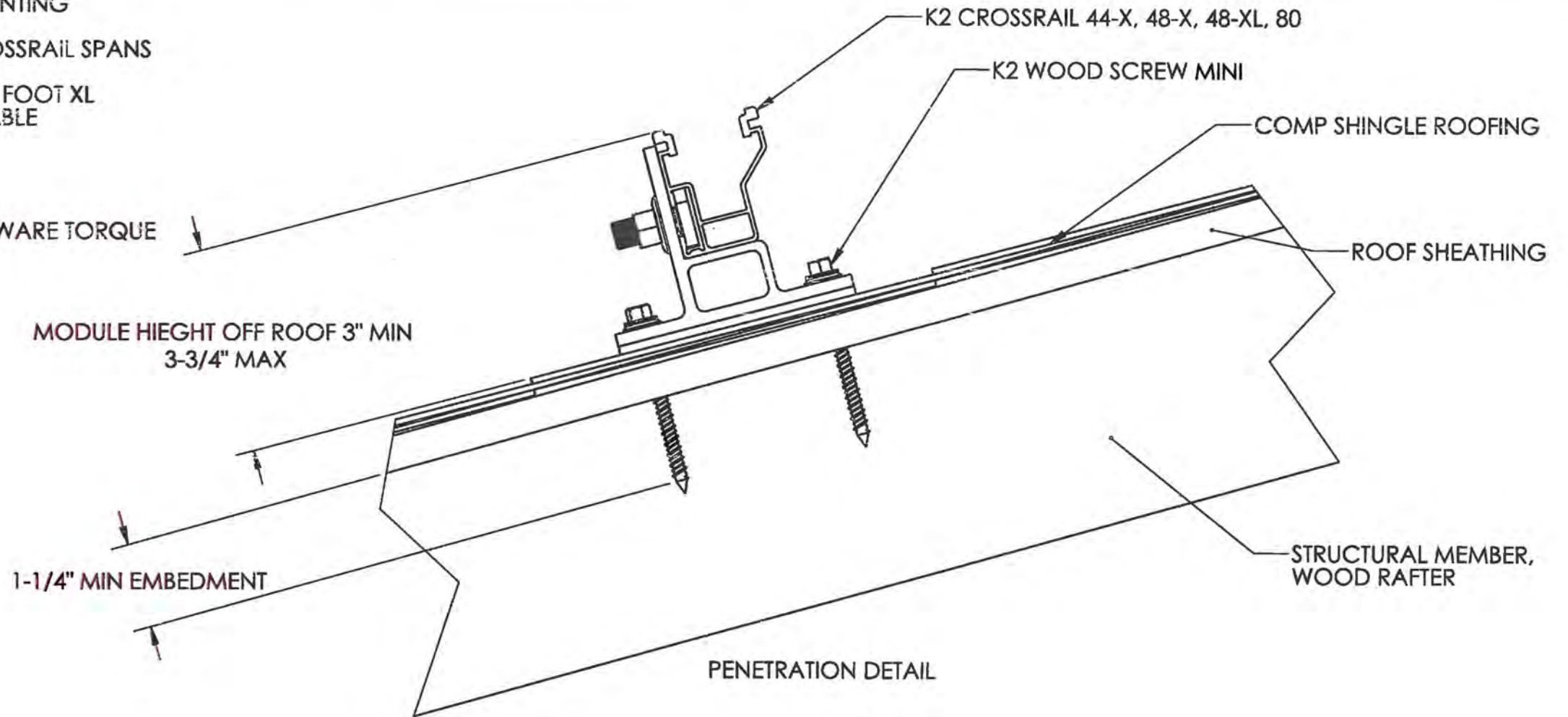
REFER TO K2 CROSSRAIL INSTLATION MANUAL FOR HARDWARE TORQUE

STRUCTURAL MEMBER SPECIFICATIONS:

MINIMUM WOOD GRADE = SPF #2
MINIMUM SPECIFIC GRAVITY = 0.42

ALLOWABLE FASTENER UPLIFT = 424 LBS
ALLOWABLE FASTENER LATERAL = 216 LBS

MINIMUM FASTENER EDGE DISTANCE = 0.295"
MINIMUM FASTENER END DISTANCE = 1.4"



PE SIGNATURE:

PE DATE:
10/31/2023

2023 FLORIDA BUILDING CODE, 8TH EDITION
ASCE 7 VERSION: ASCE 7-16 & ASCE 7-22

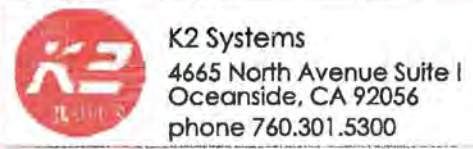
PRODUCT REVISED
as complying with the Florida Building Code
NOA-No. 24-0401.04
Expiration Date 02/17/2027
By *[Signature]*
Miami-Dade Product Control

DESCRIPTION:
SPLICE FOOT XL ATTACHMENT DETAIL

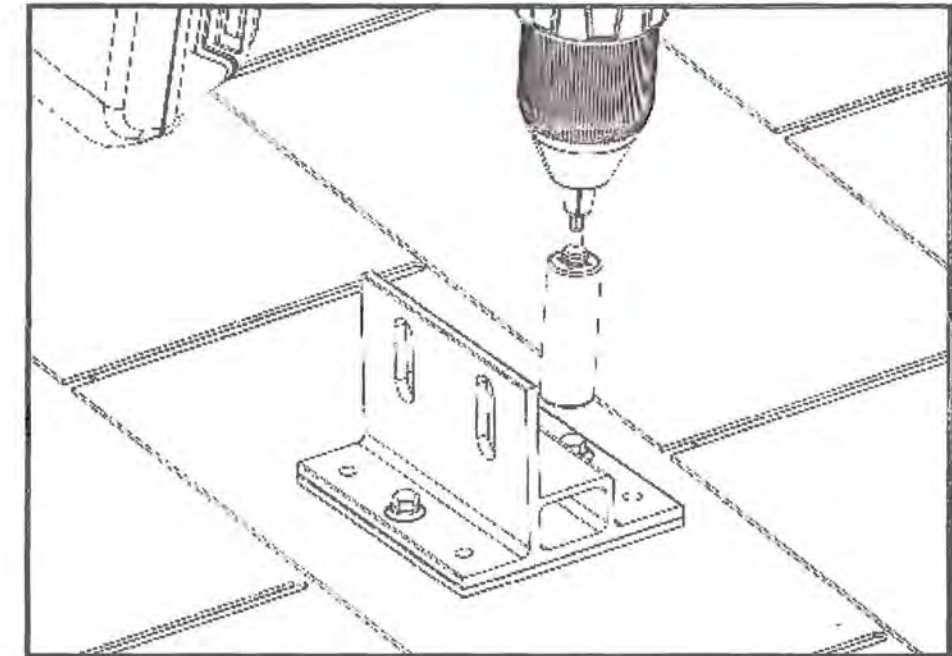
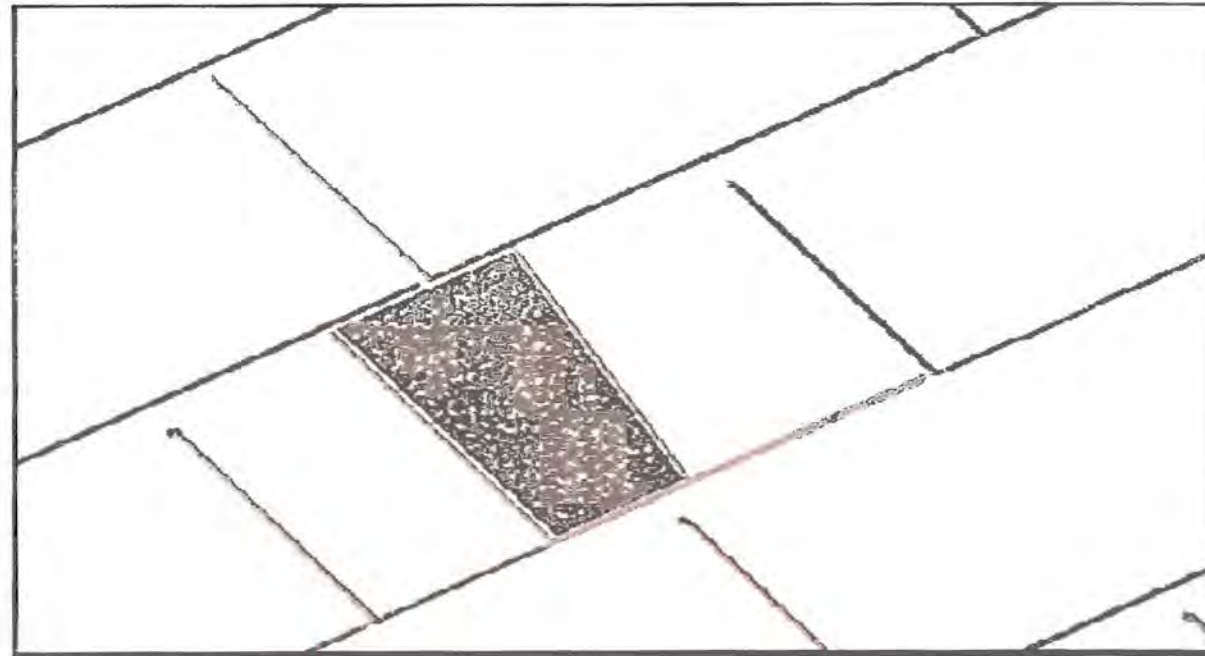
REVISION	DATE	DESCRIPTION
E	5/25/2023	

DRAWN BY
R. ESTRADA

Project:
Miami Dade County NOA



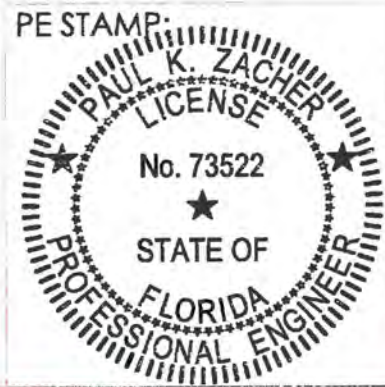
REUIRED TOOLS:
 5/16" SOCKET
 SOCKET WRENCH
 COMP SHINGLE START COURSE OR K2 BUTYL (FOR UNEVEN SURFACES)



STEP 1:
 Corner out and mark array on roof. Snap chalk lines for rail location within shingle course. (Refer to module manufacturer frame clamping zones). Mark mounting locations over rafters and chalk lines within shingle course. Refer to engineering letters for allowable mount spacing.

STEP 1 (CONTINUED):
LEVELING UNEVEN ROOF SURFACES:
 If shingle surface is not level, use an additional piece of K2 butyl or a standard comp shingle starter course to level out the roof surface under the Splice Foot.

STEP 2:
 Locate the rafter and clean roofing surface for mount placement. Peel back protective paper from butyl, and stick down mount on a single shingle course with the two center holes lining up over the rafter. Position all mounts in the same direction with the long side towards the ridge. Drive provided lag screws into the rafter until the EPDM seal begins to deform, providing a positive seal. Do not over torque.



PE SIGNATURE:

PE DATE:
 10/31/2023

2023 FLORIDA BUILDING CODE, 8TH EDITION
 ASCE 7 VERSION: ASCE 7-16 & ASCE 7-22

PRODUCT REVISED
 as complying with the Florida Building Code
 NOA-No. 24-0401.04
 Expiration Date 02/17/2027
 By *R. Estrada*
 Miami-Dade Product Control

DESCRIPTION:

SPLICE FOOT XL INSTALLATION

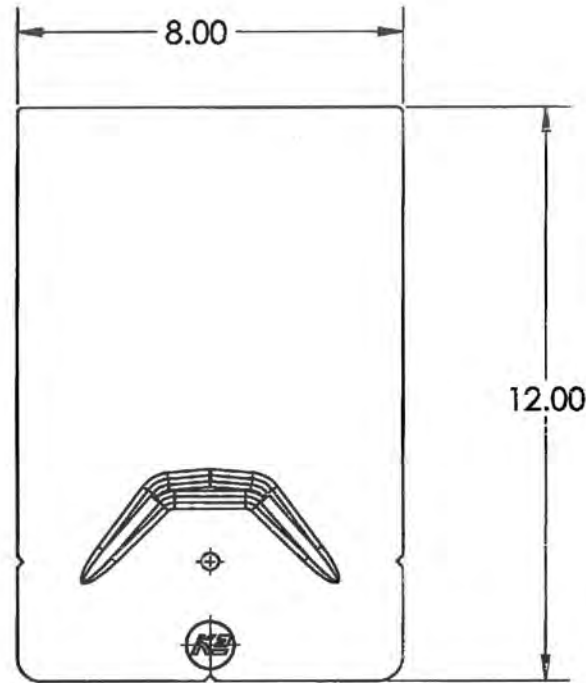
REVISION	DATE	DESCRIPTION
E	5/25/2023	

DRAWN BY
 R. ESTRADA

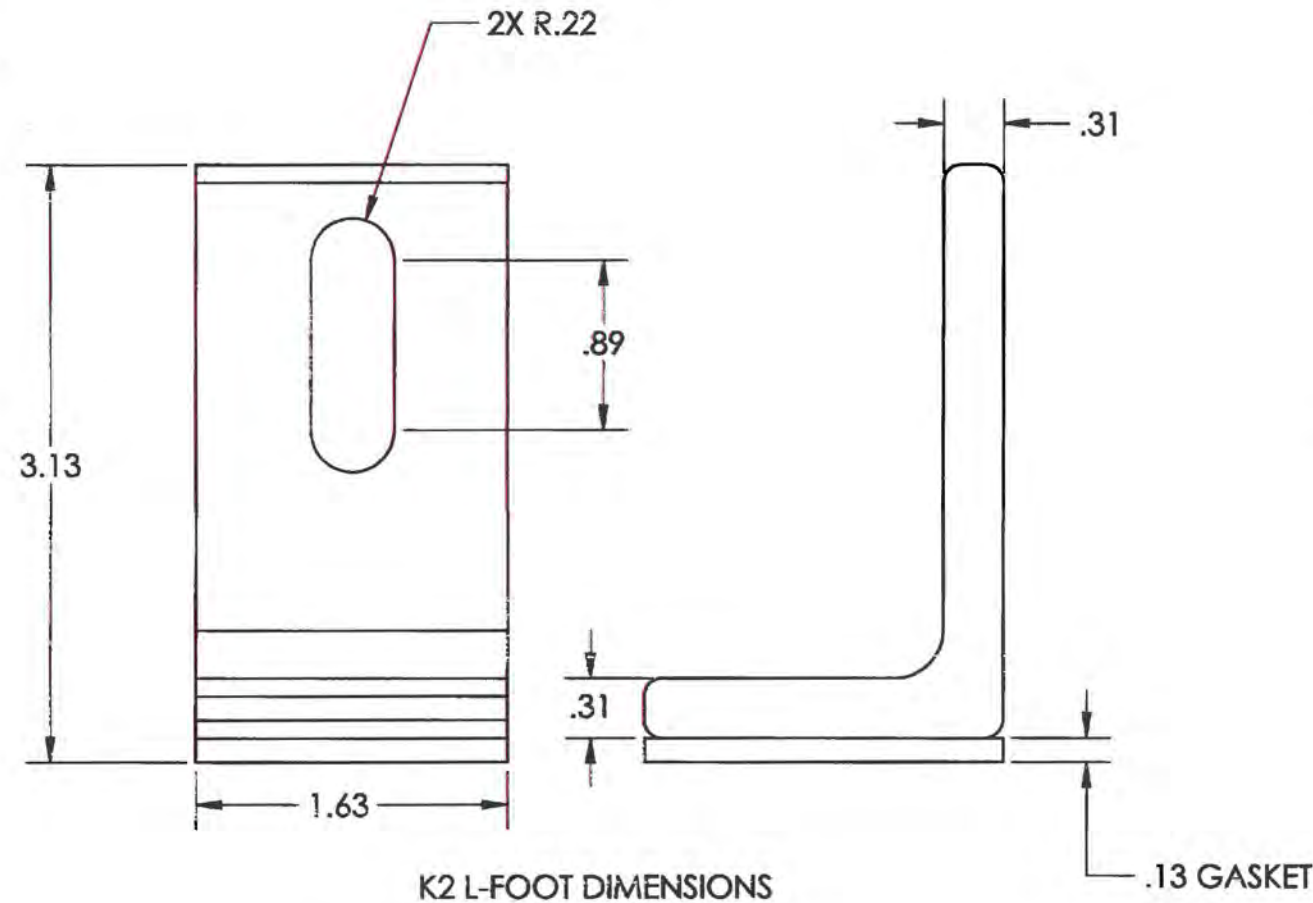
Project:

Miami Dade County NOA

K2 Systems
 4665 North Avenue Suite 1
 Oceanside, CA 92056
 phone 760.301.5300

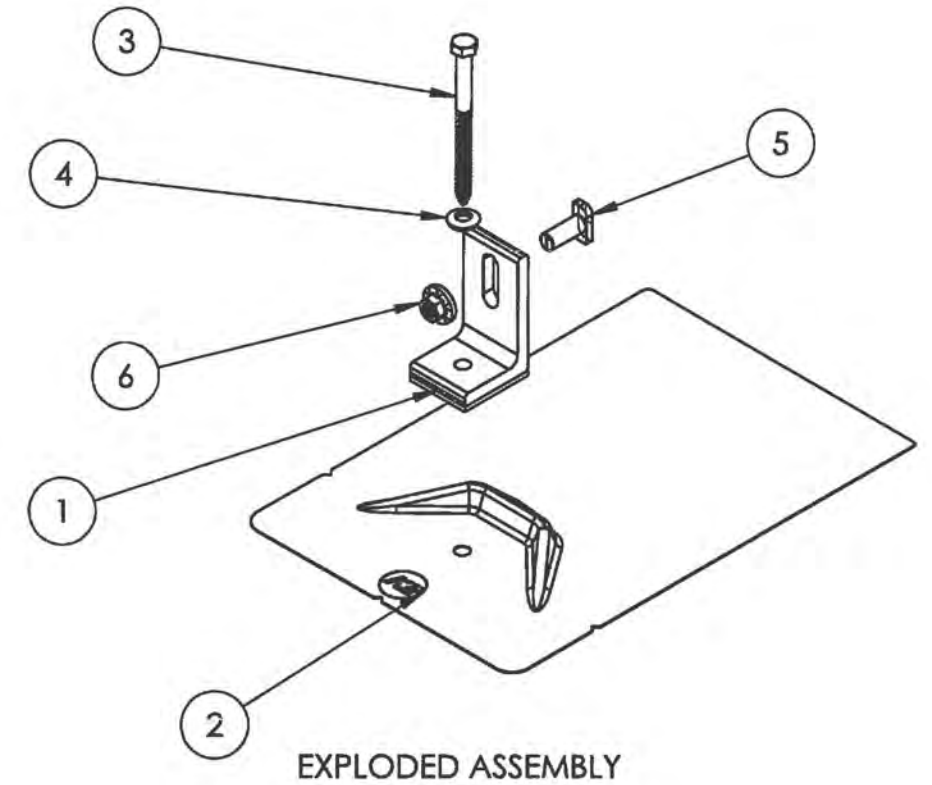


K2 COMP FLASHING 8X12
SCALE 1:4



K2 L-FOOT DIMENSIONS

PART BILL OF MATERIALS			
ITEM	QTY	DESCRIPTION	ALLOY
1	1	K2 L-FOOT	AL 6061-T6, 6005A-T5/T61 OR EQUIVALENT
2	1	K2 FLASH 8X12	GALVALUME
3	1	LAG SCREW D145/16 X 4"	STAINLESS STEEL
4	1	LAG SCREW SEALING WASHER	SS AND EPDM
5	1	T-BOLT 28/15 M10X25 SS	STAINLESS STEEL
6	1	HEX FLANGE NUT SERR, SS, M10	STAINLESS STEEL



EXPLODED ASSEMBLY



PE SIGNATURE:

PE DATE:
10/31/2023

2023 FLORIDA BUILDING CODE, 8TH EDITION
ASCE 7 VERSION: ASCE 7-16 & ASCE 7-22

PRODUCT REVISED
as complying with the Florida
Building Code
NOA-No. 24-0401.04
Expiration Date 02/17/2027
By *[Signature]*
Miami-Dade Product Control

K2 Systems
4665 North Avenue Suite I
Oceanside, CA 92056
phone 760.301.5300

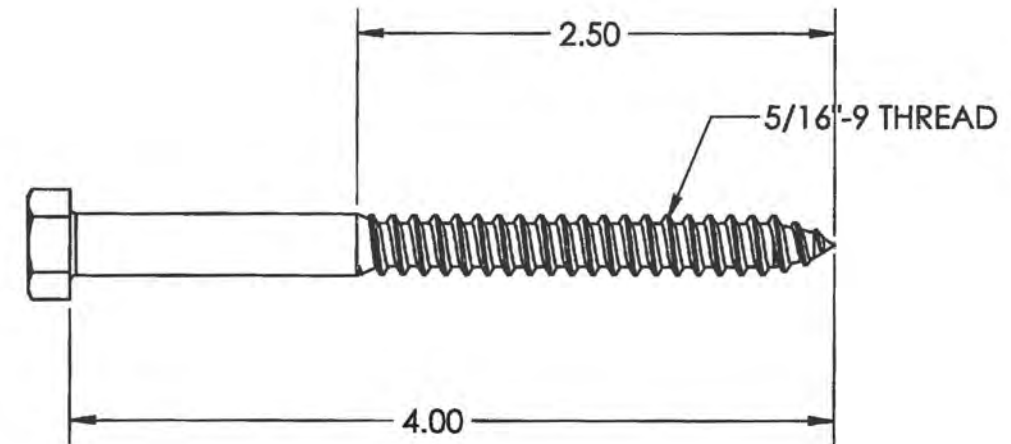
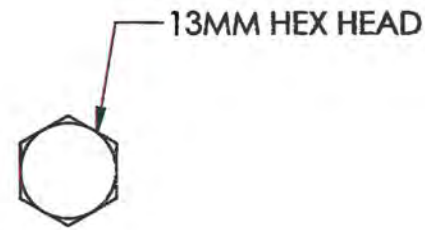
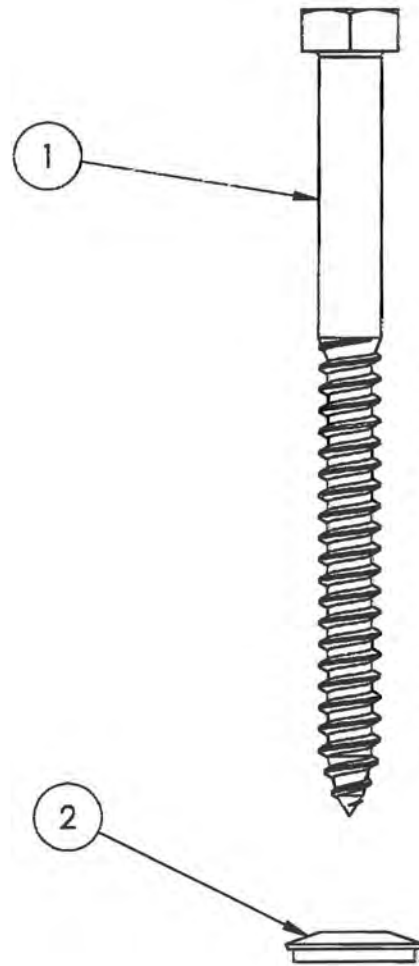
DESCRIPTION:
K2 FLASH KIT ASSEMBLY

REVISION	DATE	DESCRIPTION	DRAWN BY
E	5/25/2023		RESTRADA

Project:
Miami Dade County NOA

LAG SCREW MATERIAL: 18-8 STAINLESS STEEL

PART BILL OF MATERIALS			
ITEM	QTY	DESCRIPTION	ALLOY
1	1	LAG SCREW D145/16 X 4"	STAINLESS STEEL
2	1	LAG SCREW SEALING WASHER	SS AND EPDM



PE SIGNATURE:

PE DATE:
10/31/2023

2023 FLORIDA BUILDING CODE, 8TH EDITION
ASCE 7 VERSION: ASCE 7-16 & ASCE 7-22

PRODUCT REVISED
as complying with the Florida
Building Code
NOA-No. 24-0401.04
Expiration Date 02/17/2027
By *[Signature]*
Miami-Dade Product Control

K2 Systems
4665 North Avenue Suite 1
Oceanside, CA 92056
phone 760.301.5300

DESCRIPTION:

K2 FLASH LAG SCREW D145/16 X 4" DETAIL

REVISION	DATE	DESCRIPTION
E	5/25/2023	

DRAWN BY
R. ESTRADA

Project:

Miami Dade County NOA

K2 FLASH FOR COMPOSITION SHINGLE ROOF MOUNTING

REFER TO K2 ENGINEERING CHARTS FOR APPLCABLE CROSSRAIL SPANS

DRILL 7/32" PILOT HOLE FOR LAG BOLT

REFER TO K2 CROSSRAIL INSTALLATION MANUAL FOR HARDWARE TORQUE

STRUCTURAL MEMBER SPECIFICATIONS:

MINIMUM WOOD GRADE = SPF #2

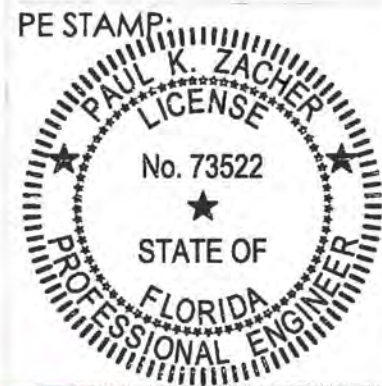
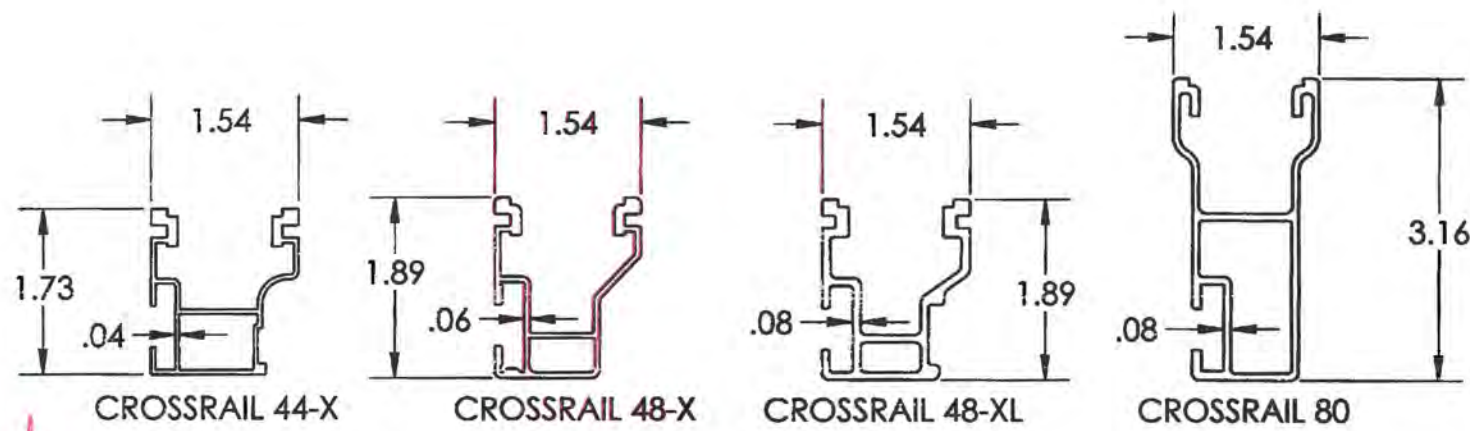
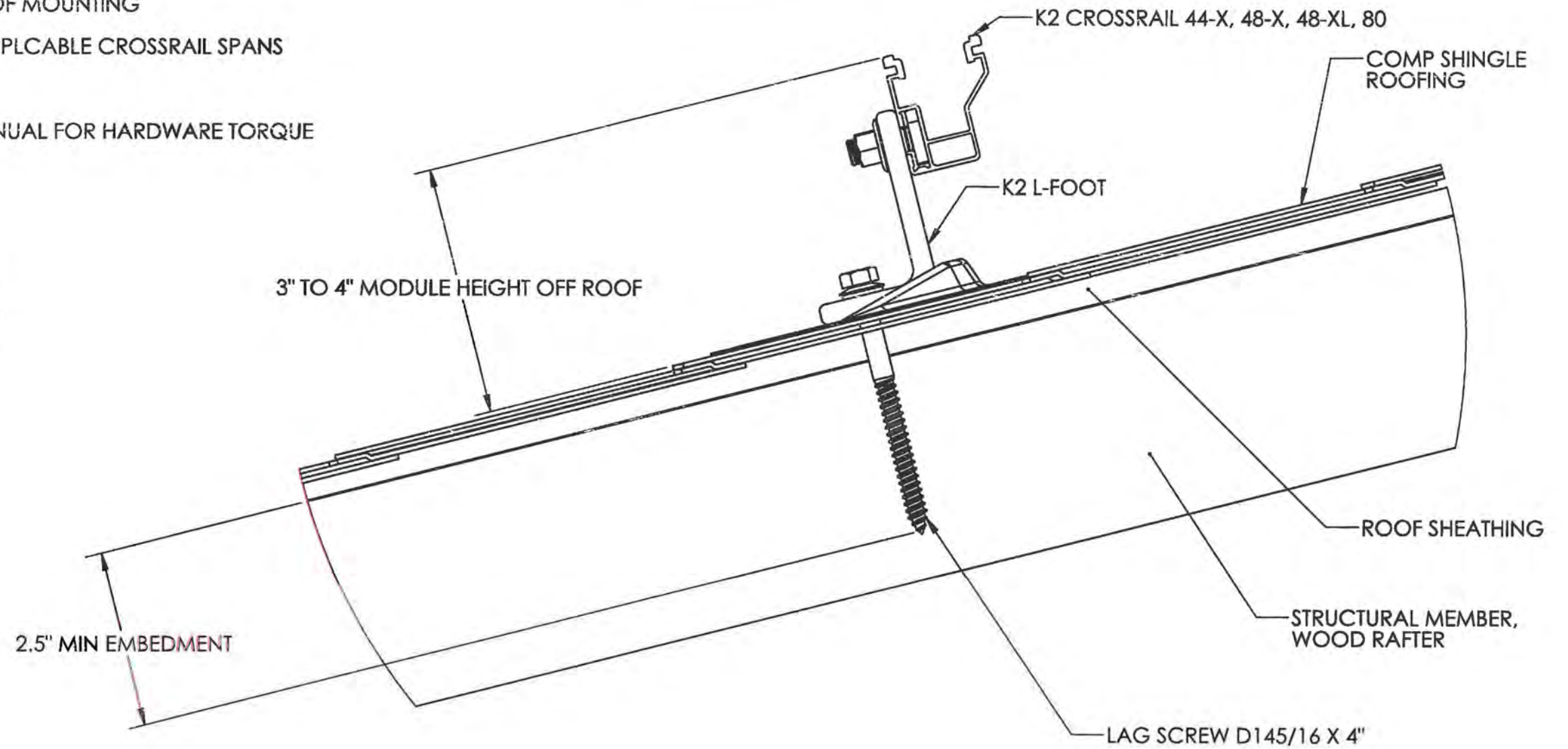
MINIMUM SPECIFIC GRAVITY = 0.42

ALLOWABLE FASTENER UPLIFT = 771 LBS

ALLOWABLE FASTENER LATERAL = 207 LBS

MINIMUM FASTENER EDGE DISTANCE = 0.5"

MINIMUM FASTENER END DISTANCE = 2.2"



PE SIGNATURE:

PE DATE:

10/31/2023

2023 FLORIDA BUILDING CODE, 8TH EDITION
ASCE 7 VERSION: ASCE 7-16 & ASCE 7-22

PRODUCT REVISED
as complying with the Florida
Building Code

NOA-No. 24-0401.04

Expiration Date 02/17/2027

By *[Signature]*
Miami-Dade Product Control

DESCRIPTION:

K2 FLASH KIT ATTACHMENT DETAIL

REVISION	DATE	DESCRIPTION
E	5/25/2023	

DRAWN BY
R. ESTRADA

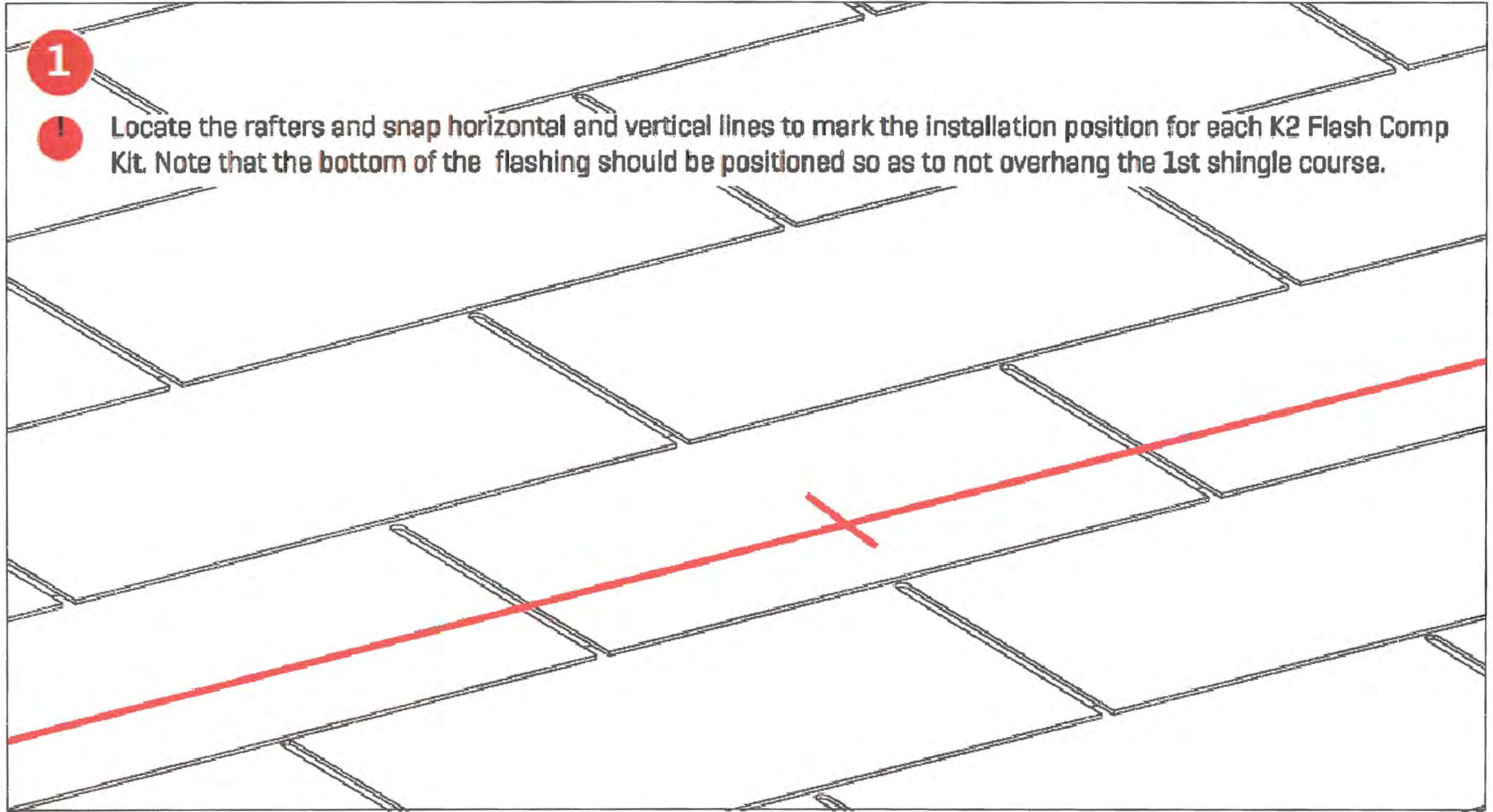
Project:

Miami Dade County NOA



K2 Systems
4665 North Avenue Suite 1
Oceanside, CA 92056
phone 760.301.5300

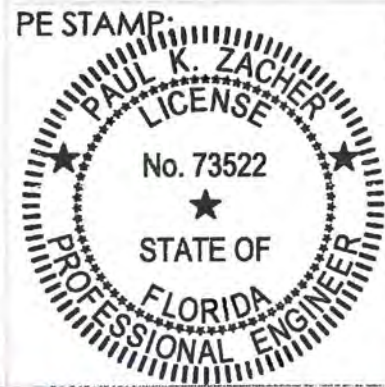
REQUIRED TOOLS:
CHALK LINE
ROOFING BAR



1

!

Locate the rafters and snap horizontal and vertical lines to mark the installation position for each K2 Flash Comp Kit. Note that the bottom of the flashing should be positioned so as to not overhang the 1st shingle course.



PE SIGNATURE:

PE DATE:
10/31/2023

2023 FLORIDA BUILDING CODE, 8TH EDITION
ASCE 7 VERSION: ASCE 7-16 & ASCE 7-22

PRODUCT REVISED
as complying with the Florida
Building Code
NOA-No. 24-0401.04
Expiration Date 02/17/2027
By *R. Estrada*
Miami-Dade Product Control

DESCRIPTION:

K2 FLASH KIT INSTALLATION

REVISION	DATE	DESCRIPTION
E	5/25/2023	

DRAWN BY
R. ESTRADA

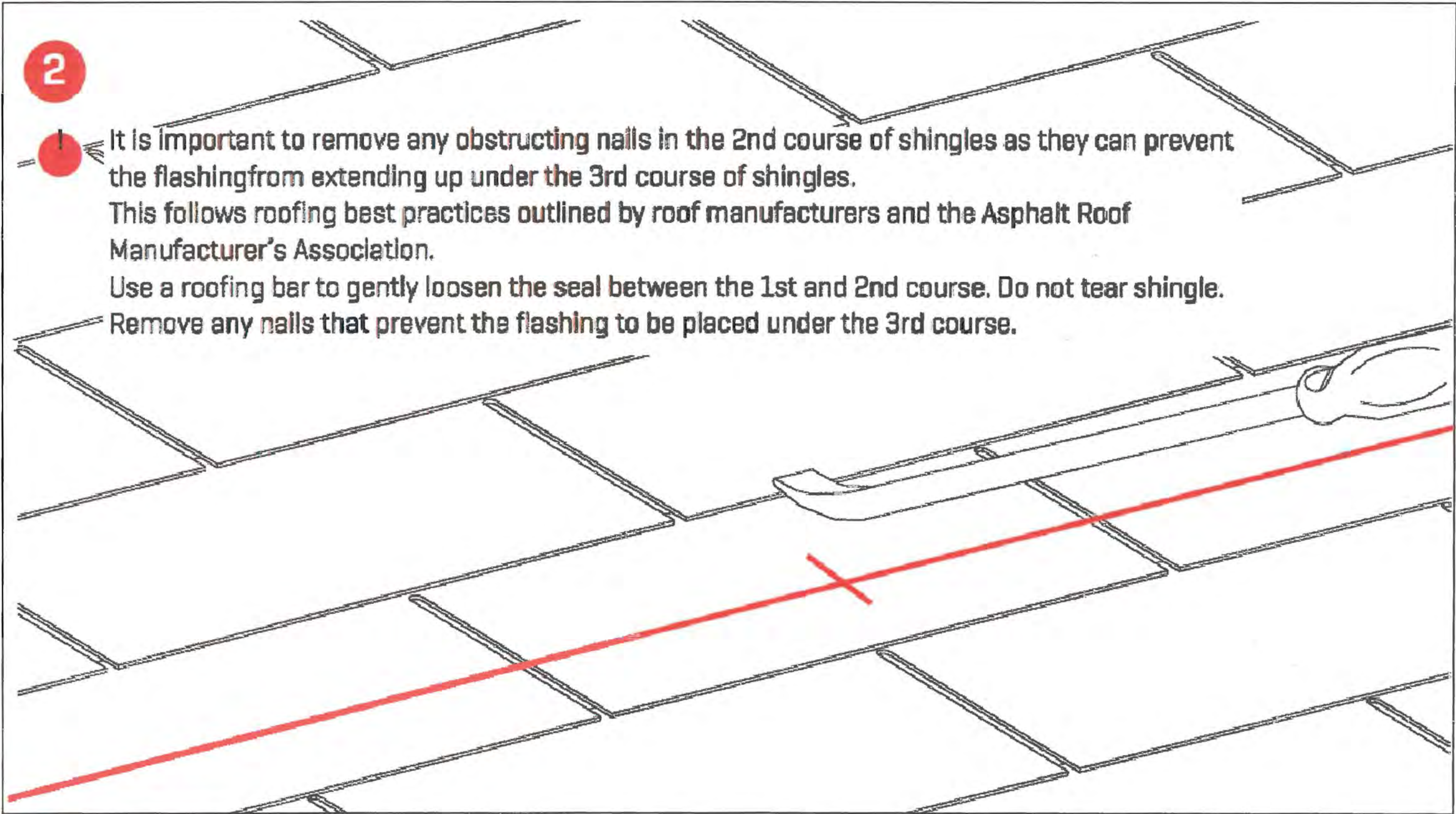
Project:

Miami Dade County NOA



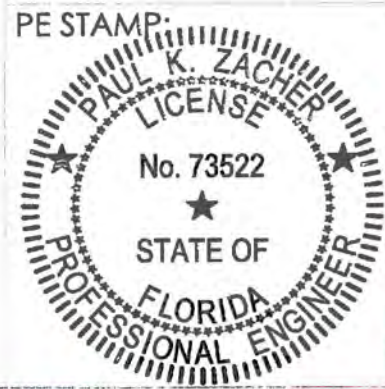
K2 Systems
4665 North Avenue Suite I
Oceanside, CA 92056
phone 760.301.5300

REQUIRED TOOLS:
CHALK LINE
ROOFING BAR



2

It is important to remove any obstructing nails in the 2nd course of shingles as they can prevent the flashing from extending up under the 3rd course of shingles. This follows roofing best practices outlined by roof manufacturers and the Asphalt Roof Manufacturer's Association. Use a roofing bar to gently loosen the seal between the 1st and 2nd course. Do not tear shingle. Remove any nails that prevent the flashing to be placed under the 3rd course.



PE SIGNATURE:

PE DATE:
10/31/2023

2023 FLORIDA BUILDING CODE, 8TH EDITION
ASCE 7 VERSION: ASCE 7-16 & ASCE 7-22

PRODUCT REVISED
as complying with the Florida
Building Code
NOA-No. 24-0401.04
Expiration Date 02/17/2027
By *R. Estrada*
Miami-Dade Product Control



K2 Systems
4665 North Avenue Suite 1
Oceanside, CA 92056
phone 760.301.5300

DESCRIPTION:

K2 FLASH KIT INSTALLATION

REVISION	DATE	DESCRIPTION
E	5/25/2023	

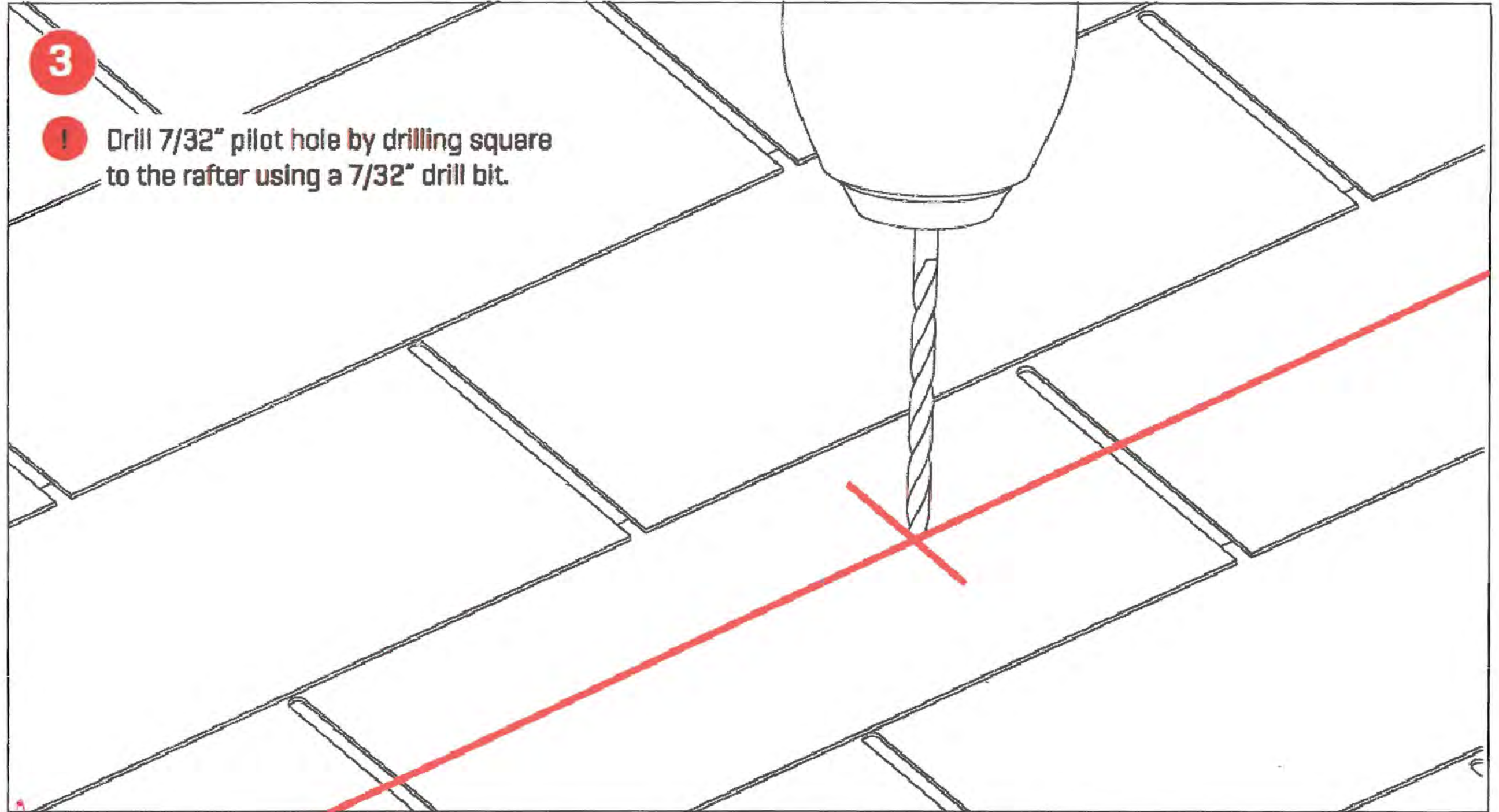
DRAWN BY
R. ESTRADA

Project:

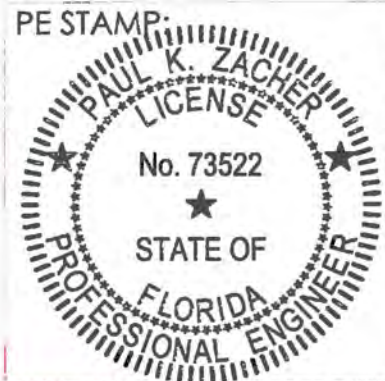
Miami Dade County NOA

REQUIRED TOOLS:

7/32" DRILL BIT
 ROOFING MANUFACTURER APPROVED SEALANT



PRODUCT REVISED
 as complying with the Florida Building Code
 NOA-No. 24-0401.04
 Expiration Date 02/17/2027
 By *[Signature]*
 Miami-Dade Product Control



PE SIGNATURE:

PE DATE:
 10/31/2023

2023 FLORIDA BUILDING CODE, 8TH EDITION
 ASCE 7 VERSION: ASCE 7-16 & ASCE 7-22

DESCRIPTION:

K2 FLASH KIT INSTALLATION

REVISION	DATE	DESCRIPTION
E	5/25/2023	

DRAWN BY
 R. ESTRADA

Project:

Miami Dade County NOA

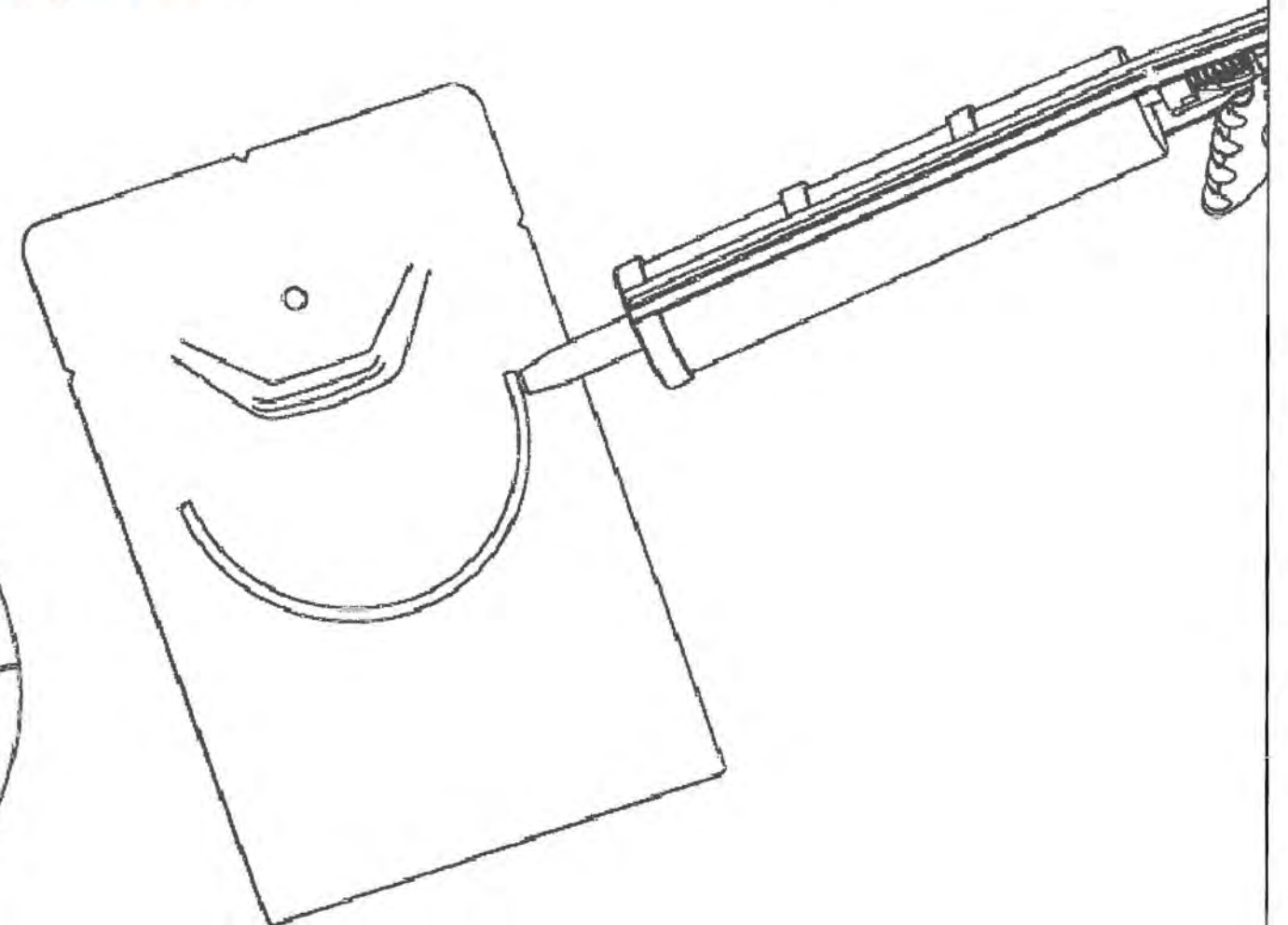
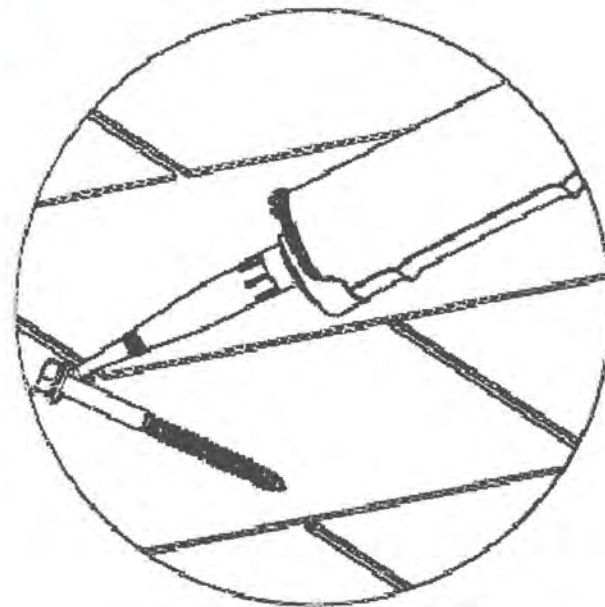
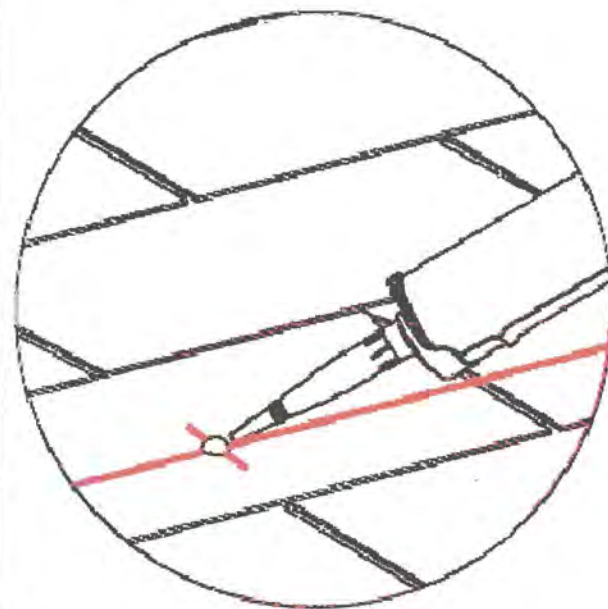


K2 Systems
 4665 North Avenue Suite 1
 Oceanside, CA 92056
 phone 760.301.5300

REQUIRED TOOLS:

- 7/32" DRILL BIT
- ROOFING MANUFACTURER APPROVED SEALANT

4 **!** Be sure to seal lag screw by either back filling the pilot hole with an appropriate sealant or ensuring sealant onto the lag screw threads directly. Additional waterproofing suggestions include an upside down "U" shape of sealant on the backside of the flashing. The K2 Flash was tested with no sealant but these suggestions follow roofing best practices and guidelines.



PRODUCT REVISED
 as complying with the Florida
 Building Code
 NOA-No. 24-0401.04
 Expiration Date 02/17/2027
 By *[Signature]*
 Miami-Dade Product Control



PE SIGNATURE:

PE DATE:

10/31/2023

2023 FLORIDA BUILDING CODE, 8TH EDITION
 ASCE 7 VERSION: ASCE 7-16 & ASCE 7-22

DESCRIPTION:

K2 FLASH KIT INSTALLATION

REVISION	DATE	DESCRIPTION
E	5/25/2023	

DRAWN BY

R. ESTRADA

Project:

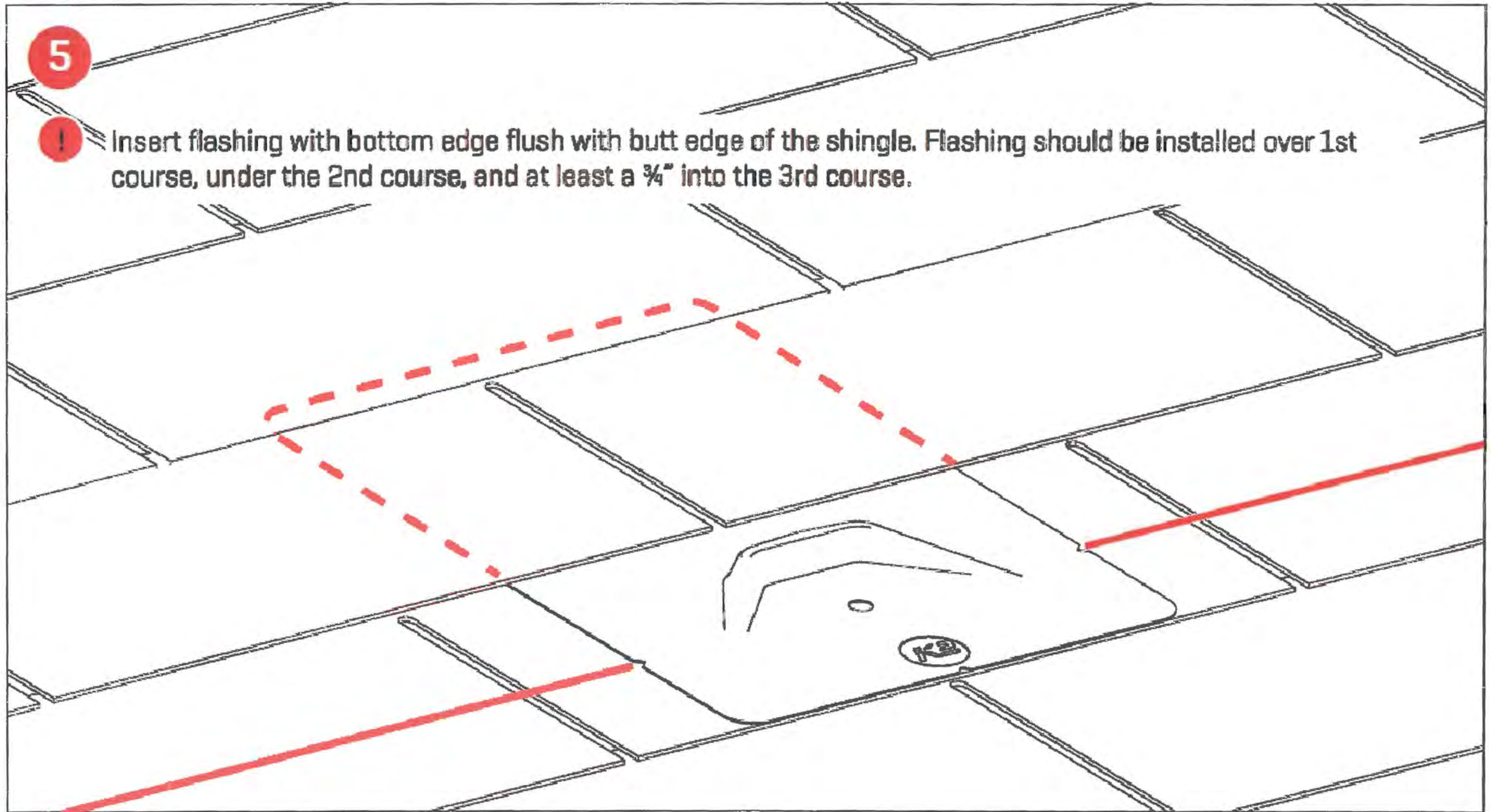
Miami Dade County NOA



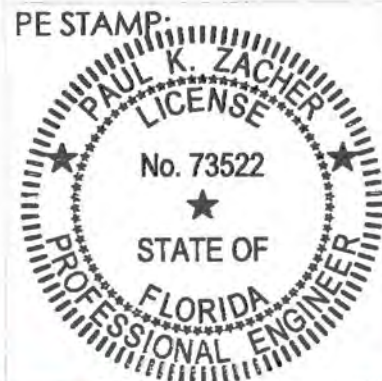
K2 Systems
 4665 North Avenue Suite I
 Oceanside, CA 92056
 phone 760.301.5300

REQUIRED TOOLS:

13MM DEEP SOCKET WRENCH



PRODUCT REVISED
as complying with the Florida
Building Code
NOA-No. 24-0401.04
Expiration Date 02/17/2027
By *R. Estrada*
Miami-Dade Product Control



PE SIGNATURE: *R. Estrada*

PE DATE:
10/31/2023

2023 FLORIDA BUILDING CODE, 8TH EDITION
ASCE 7 VERSION: ASCE 7-16 & ASCE 7-22

DESCRIPTION:

K2 FLASH KIT INSTALLATION

REVISION	DATE	DESCRIPTION
E	5/25/2023	

DRAWN BY
R. ESTRADA

Project:

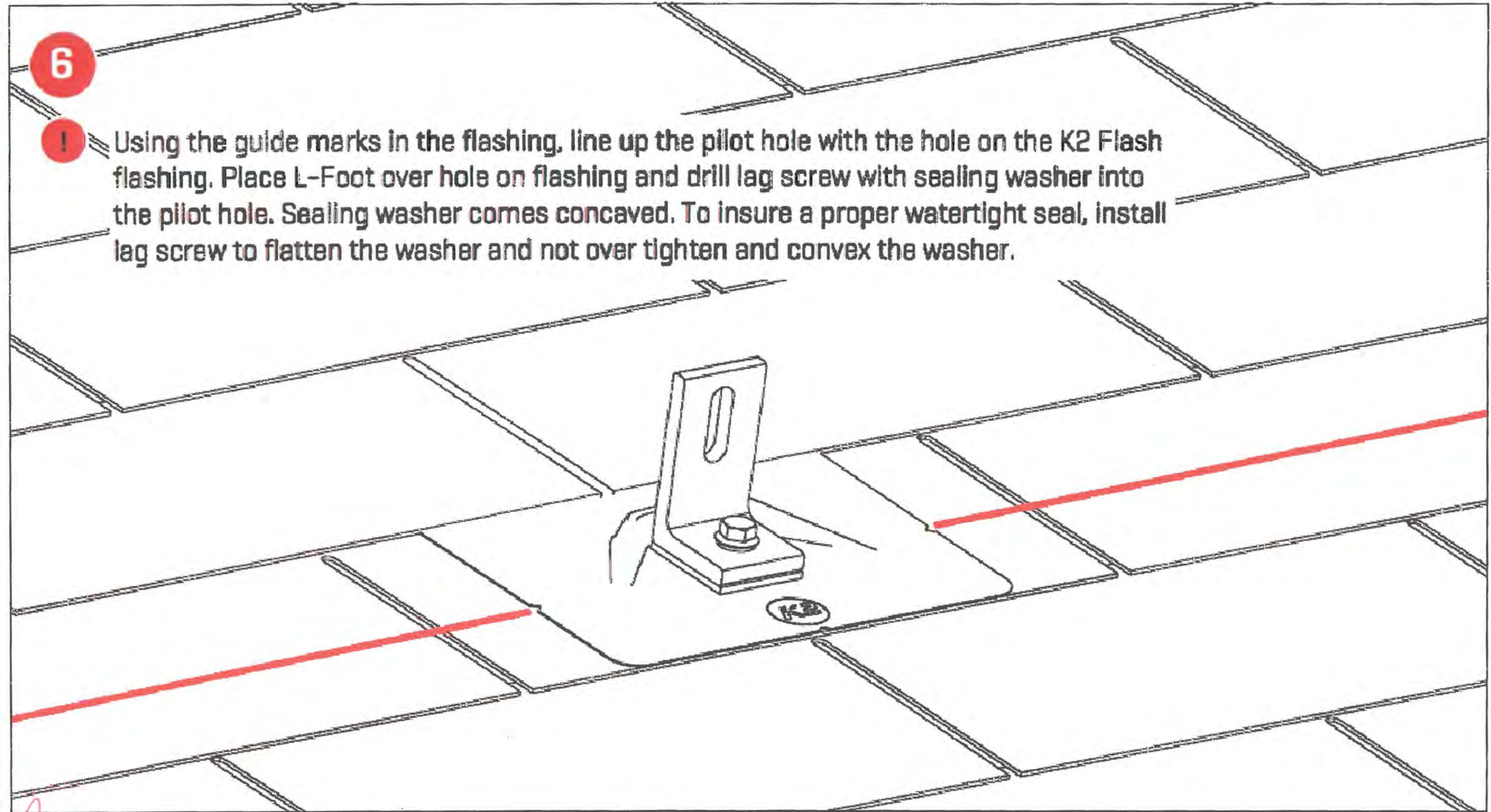
Miami Dade County NOA



K2 Systems
4665 North Avenue Suite I
Oceanside, CA 92056
phone 760.301.5300

REQUIRED TOOLS:

13MM DEEP SOCKET SOCKET WRENCH

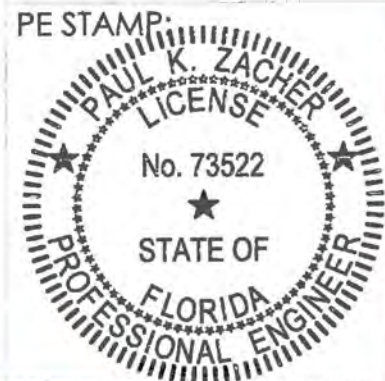


6

!

Using the guide marks in the flashing, line up the pilot hole with the hole on the K2 Flash flashing. Place L-Foot over hole on flashing and drill lag screw with sealing washer into the pilot hole. Sealing washer comes concaved. To insure a proper watertight seal, install lag screw to flatten the washer and not over tighten and convex the washer.

PRODUCT REVISED
 as complying with the Florida
 Building Code
 NOA-No. 24-0401.04
 Expiration Date 02/17/2027
 By *[Signature]*
 Miami-Dade Product Control



PE SIGNATURE:

PE DATE:
10/31/2023

2023 FLORIDA BUILDING CODE, 8TH EDITION
ASCE 7 VERSION: ASCE 7-16 & ASCE 7-22

DESCRIPTION:

K2 FLASH KIT INSTALLATION

REVISION	DATE	DESCRIPTION
E	5/25/2023	

DRAWN BY
R. ESTRADA

Project:

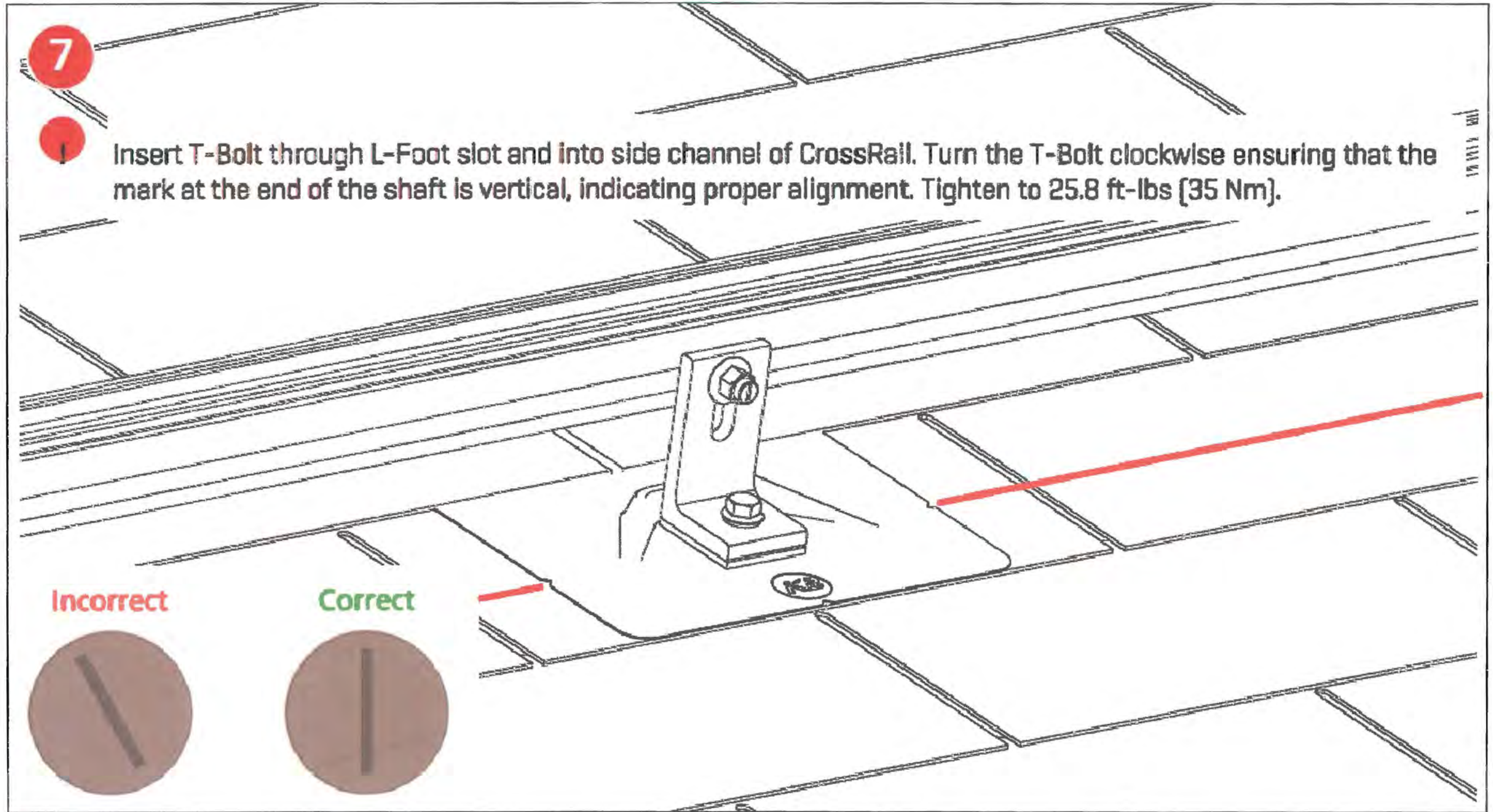
Miami Dade County NOA



K2 Systems
 4665 North Avenue Suite I
 Oceanside, CA 92056
 phone 760.301.5300

REQUIRED TOOLS:

13MM DEEP SOCKET SOCKET WRENCH



PRODUCT REVISED
 as complying with the Florida
 Building Code
 NOA-No. 24-0401.04
 Expiration Date 02/17/2027
 By *[Signature]*
 Miami-Dade Product Control



PE SIGNATURE:

PE DATE:

10/31/2023

2023 FLORIDA BUILDING CODE, 8TH EDITION
 ASCE 7 VERSION: ASCE 7-16 & ASCE 7-22

DESCRIPTION:

K2 FLASH KIT INSTALLATION

REVISION	DATE	DESCRIPTION
E	5/25/2023	

DRAWN BY
 R. ESTRADA

Project:

Miami Dade County NOA



K2 Systems
 4665 North Avenue Suite I
 Oceanside, CA 92056
 phone 760.301.5300



ITEM NO.	PART NUMBER	DESCRIPTION	QTY.	Allow
1	4000203	K2 Drop N Lock Universal Base, Mill	1	AL 380.0 - F
2	4000204	K2 Drop N Lock Universal Base Butyl, Gasket	1	N/A
3	4000219	K2 Drop N Lock Post 6 in, Mill	1	AL 380.0 - F
4	4000237	K2 Drop N Lock Post 4.5in, Mill	1	AL 380.0 - F
5	4000619	L-Foot Everest Slotted, Mill	1	6061-T6, 6005A-T5, 6005A-T61
6	4000222	K2 Drop N Lock Post Cap, Dark	1	N/A
7	4000005	M8x0.5 L-Foot Screw	1	ASTM 304, A2 - 70
8	4000310	# 14 x 3in x 0.3125in Hex Head Screw	6	18-8 stainless Steel
9	4000310	- # 14 x 3in x 0.3125in Hex Head Screw-washer	6	EPDM Shore A 77

DROP N LOCK FOR TILE ROOF MOUNTING (IN DECK)

- ▷ (6) #14 x 3in x 0.3125in Hex Head Screw, EMBED FULLY INTO DECK
- ▷ MINIMUM DECK = 15/32"

REFER TO K2 ENGINEERING CHARTS FOR APPLICABLE CROSSRAIL SPANS

TO USE IT AS A RAIL SPLICE, THE DISTANCE TO THE NEXT DROP N LOCK MUST BE EQUAL OR LESS THAN THE MAX ALLOWABLE ATTACHMENT SPAN PER K2 ENGINEER CHARTS

- ▷ NO PILOT HOLE REQUIRED FOR SELF DRILLING SCREWS
- ▷ REFER TO K2 CROSSRAIL INSTALATION MANUAL FOR HARWARE TORQUE

STRUCTURAL MEMBER SPECIFICATIONS:

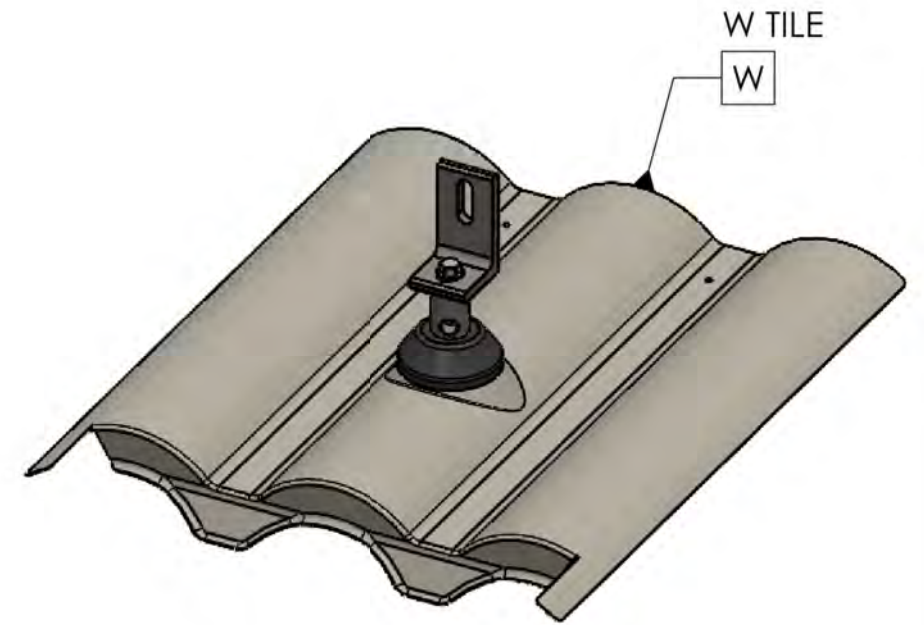
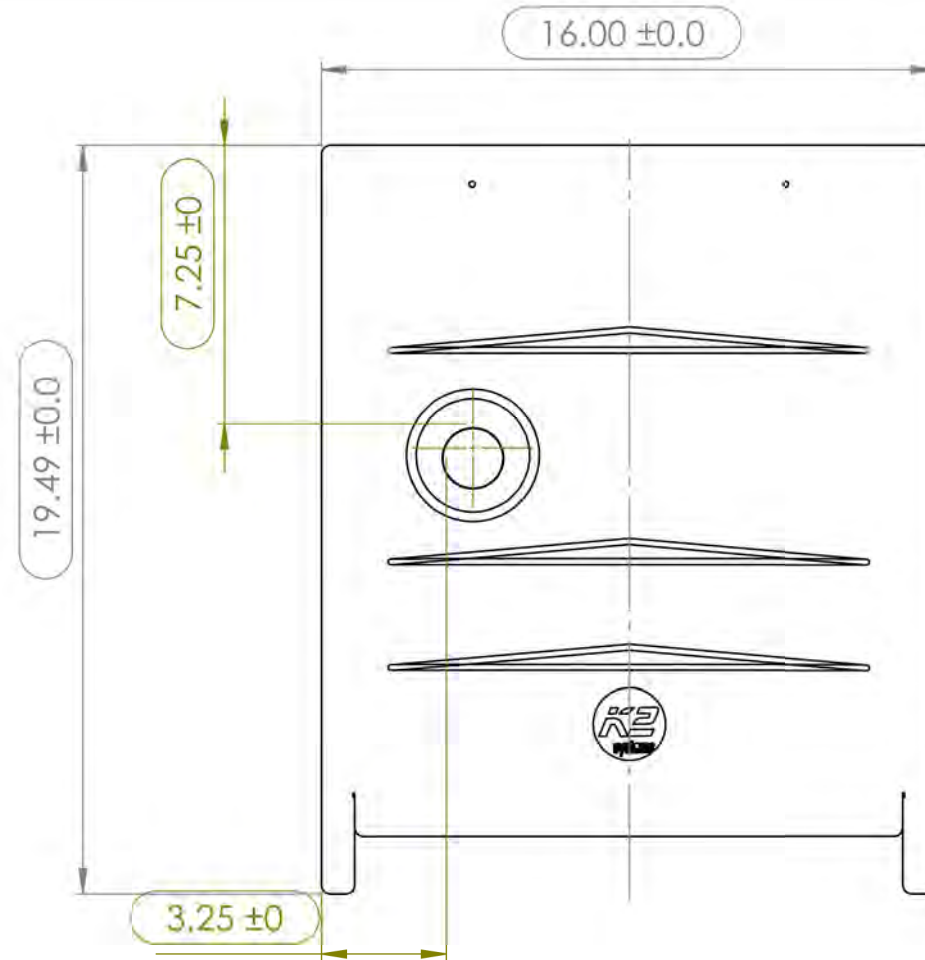
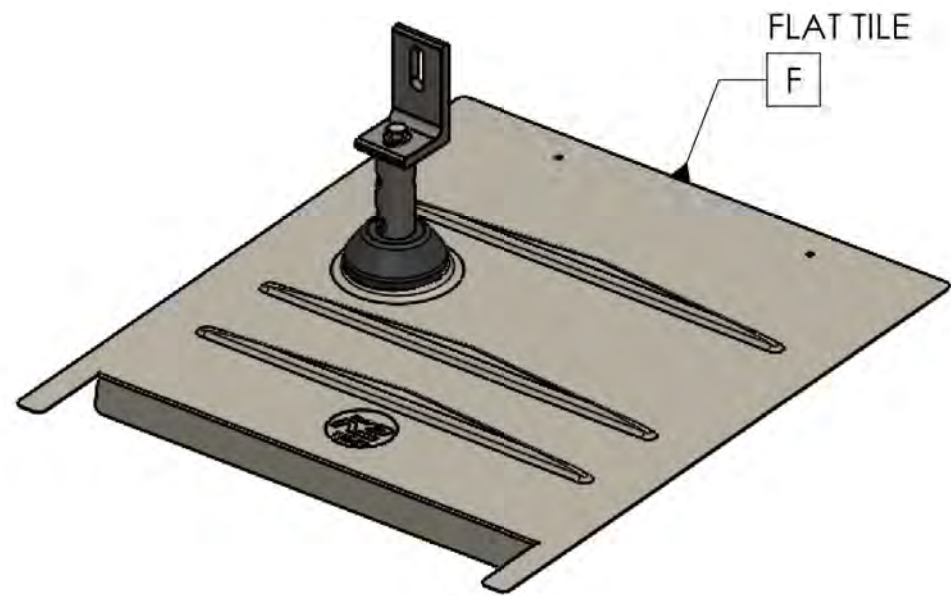
- MINIMUM WOOD GRADE = SPF #2
- SPECIFIC GRAVITY= 0.42
- MINIMUM FASTENER EDGE DISTANCE = 0.375"
- MINIMUM FASTENER END DISTANCE = 1.4

PRODUCT REVISED
 as complying with the Florida
 Building Code
 NOA-No. 24-0401.04
 Expiration Date 02/17/2027
 By *[Signature]*
 Miami-Dade Product Control

ALLOWABLE FASTENER	DECK
UPLIFT	345 lbs
LATERAL	49 lbs

ROOF DECK ATTACHMENT TO SUPPORTS MUST BE VERIFIED BY THE ENGINEER OF RECORD AT THE TIME OF CONSTRUCTION PERMIT.





03/22/2024

PRODUCT REVISED
 as complying with the Florida
 Building Code
 NOA-No. 24-0401.04
 Expiration Date 02/17/2027
 By *[Signature]*
 Miami-Dade Product Control



K2 Systems
 3809 Ocean Ranch Blvd. Suite 111
 Oceanside, CA 92056
 phone 760.301.5300

Description:

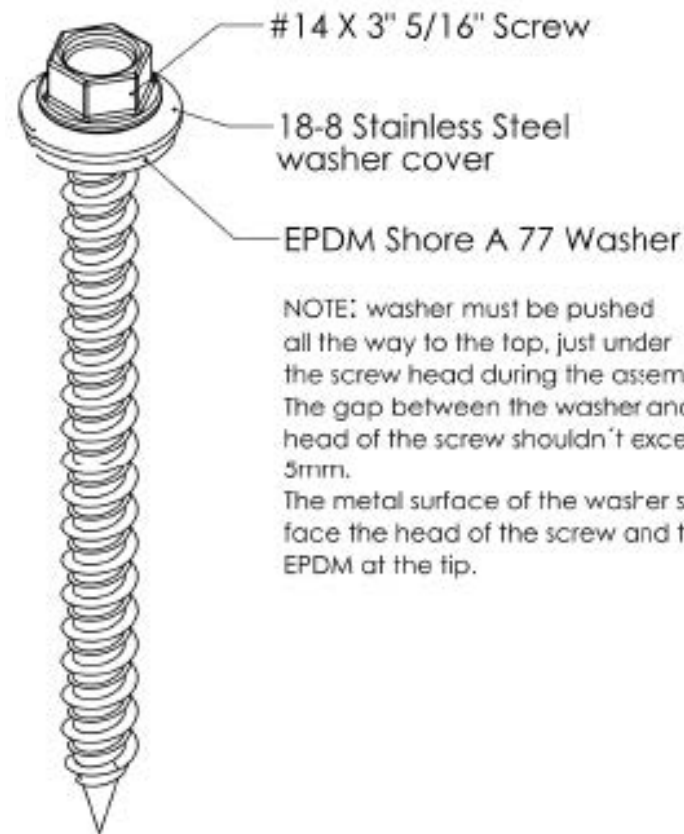
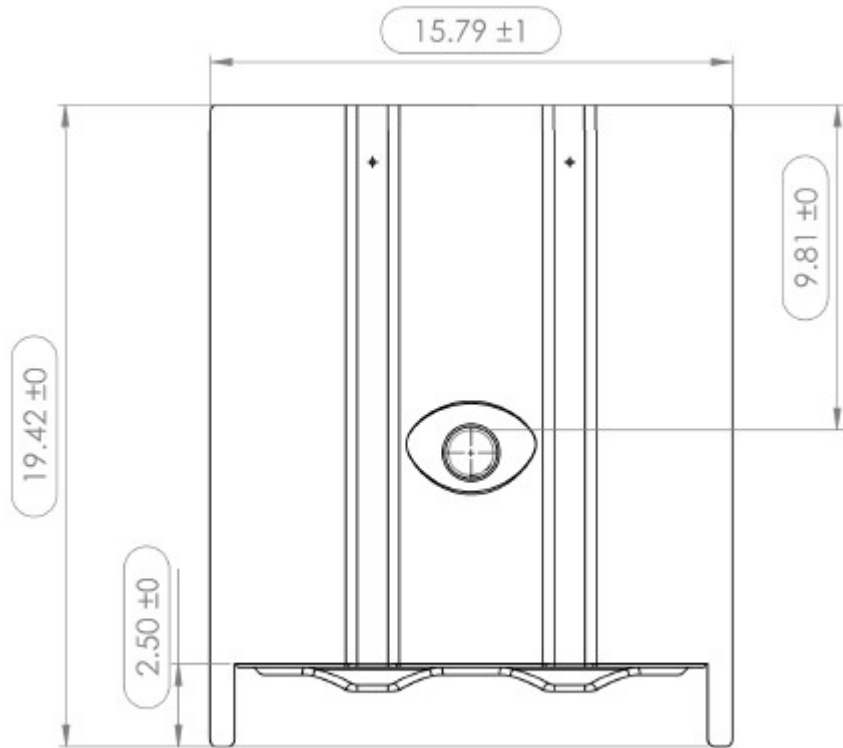
DROP N LOCK KIT ASSEMBLY

REVISION	DATE	DESCRIPTION
A	1/30/24	

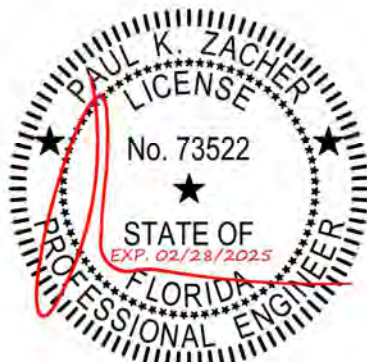
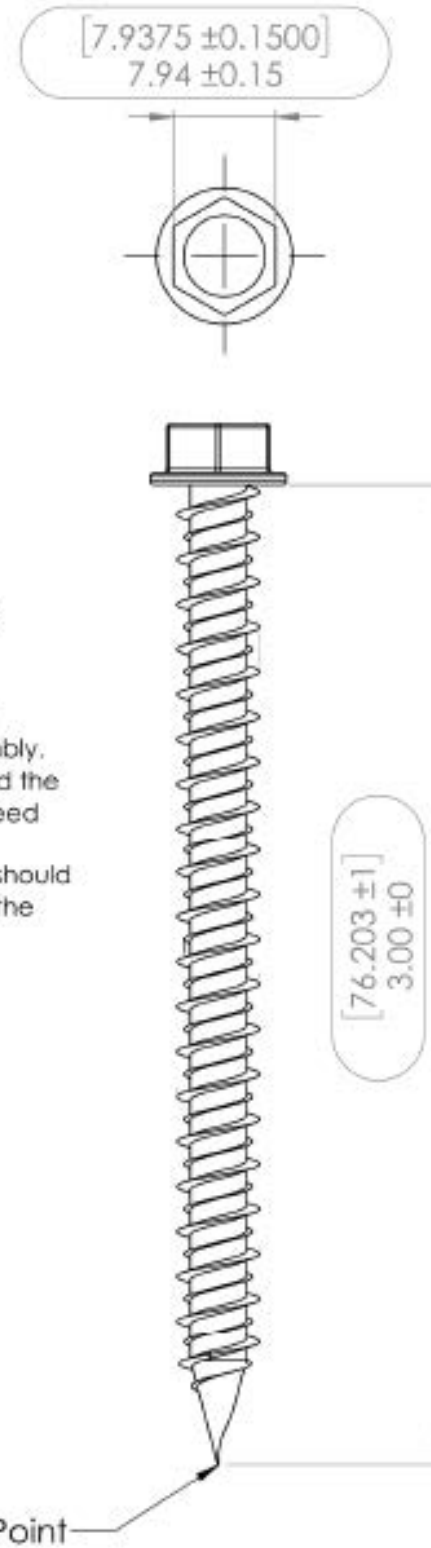
DRAWN BY
 A. VIZCARRA

Project:

Miami Dade County NOA



NOTE: washer must be pushed all the way to the top, just under the screw head during the assembly. The gap between the washer and the head of the screw shouldn't exceed 5mm. The metal surface of the washer should face the head of the screw and the EPDM at the tip.



03/22/2024

PRODUCT REVISED
 as complying with the Florida Building Code
 NOA-No. 24-0401.04
 Expiration Date 02/17/2027
 By *[Signature]*
 Miami-Dade Product Control



K2 Systems
 3809 Ocean Ranch Blvd, Suite 111
 Oceanside, CA 92056
 phone 760.301.5300

Description:

DROP N LOCK KIT ASSEMBLY

REVISION	DATE	DESCRIPTION
A	1/30/24	

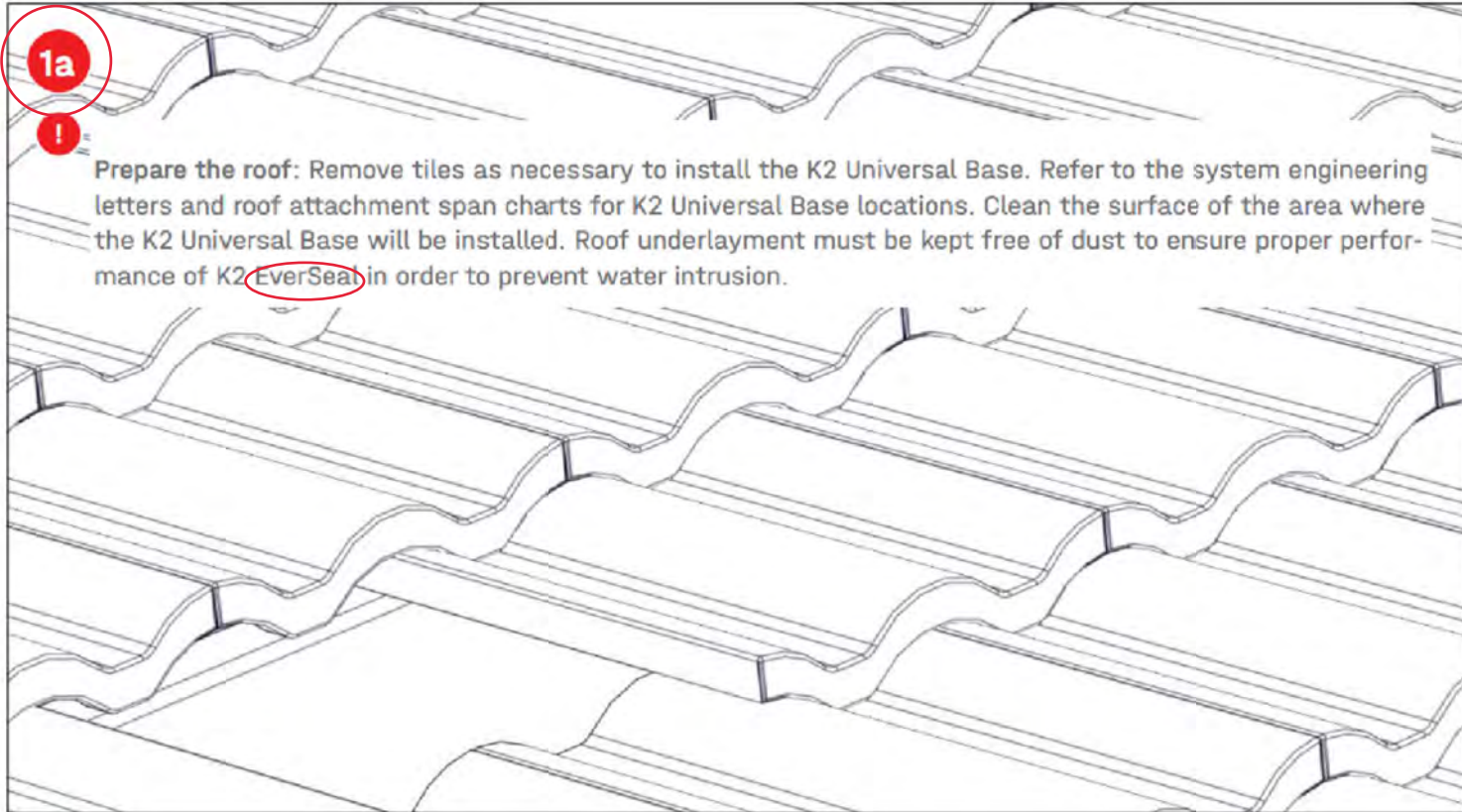
DRAWN BY
 A. VIZARRA

Project:

Miami Dade County NOA

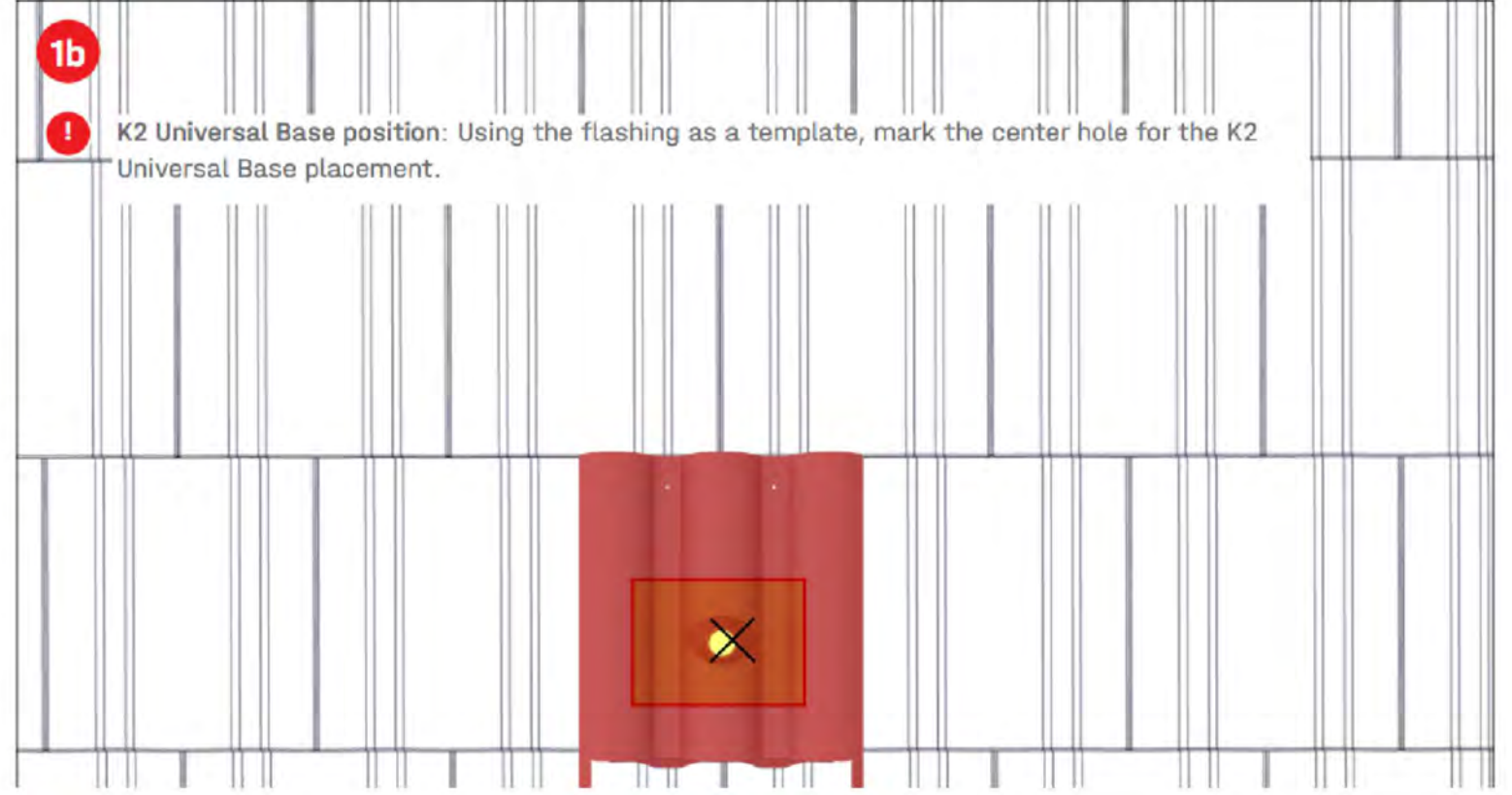
1a

Prepare the roof: Remove tiles as necessary to install the K2 Universal Base. Refer to the system engineering letters and roof attachment span charts for K2 Universal Base locations. Clean the surface of the area where the K2 Universal Base will be installed. Roof underlayment must be kept free of dust to ensure proper performance of K2 EverSeal in order to prevent water intrusion.



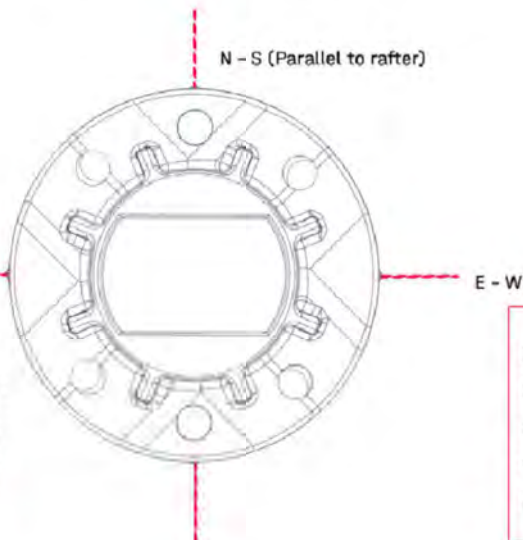
1b

K2 Universal Base position: Using the flashing as a template, mark the center hole for the K2 Universal Base placement.



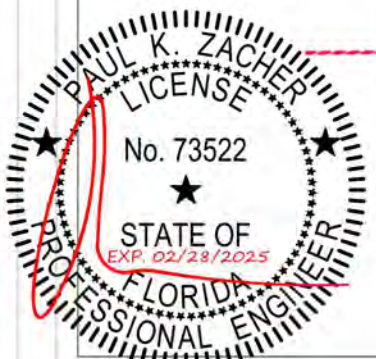
2

K2 Universal Base installation: The base has lines to identify North-South (rafter) and East-West (deck) in order to correctly position the mount for rafter or deck attachment, see image below. All the K2 Universal Bases should be in the same orientation.



PRODUCT REVISED
as complying with the Florida Building Code
NOA-No. 24-0401.04
Expiration Date 02/17/2027
By *[Signature]*
Miami-Dade Product Control

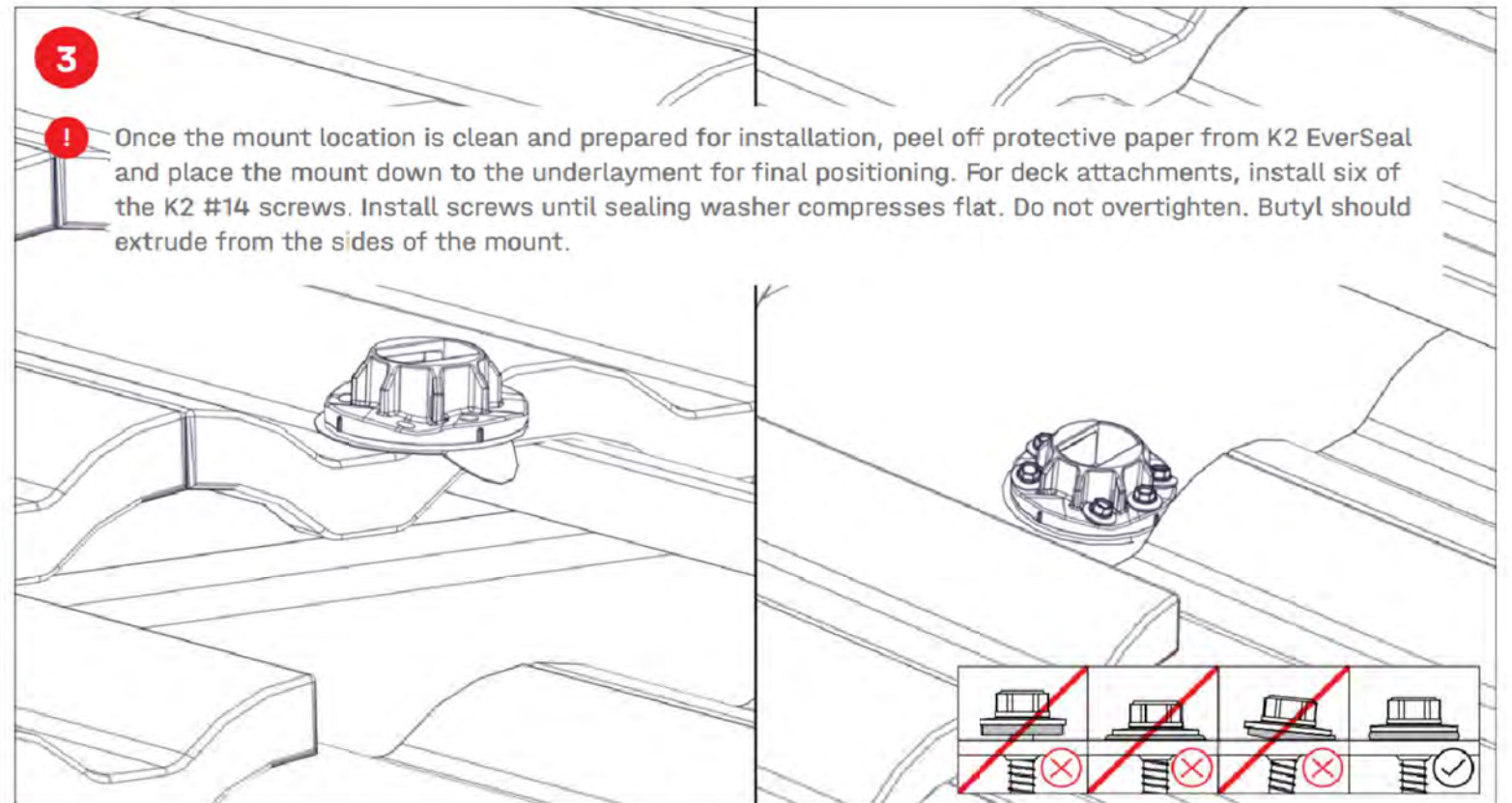
Note: the K2 Universal Base has 6 total screw holes. The two holes at the North-South locations are flush and the remaining 4 holes in the base corners are slightly angled to improve the uplift performance of the mount.



03/22/2024

3

Once the mount location is clean and prepared for installation, peel off protective paper from K2 EverSeal and place the mount down to the underlayment for final positioning. For deck attachments, install six of the K2 #14 screws. Install screws until sealing washer compresses flat. Do not overtighten. Butyl should extrude from the sides of the mount.



K2 Systems
3809 Ocean Ranch Blvd. Suite 111
Oceanside, CA 92056
phone 760.301.5300

Description:

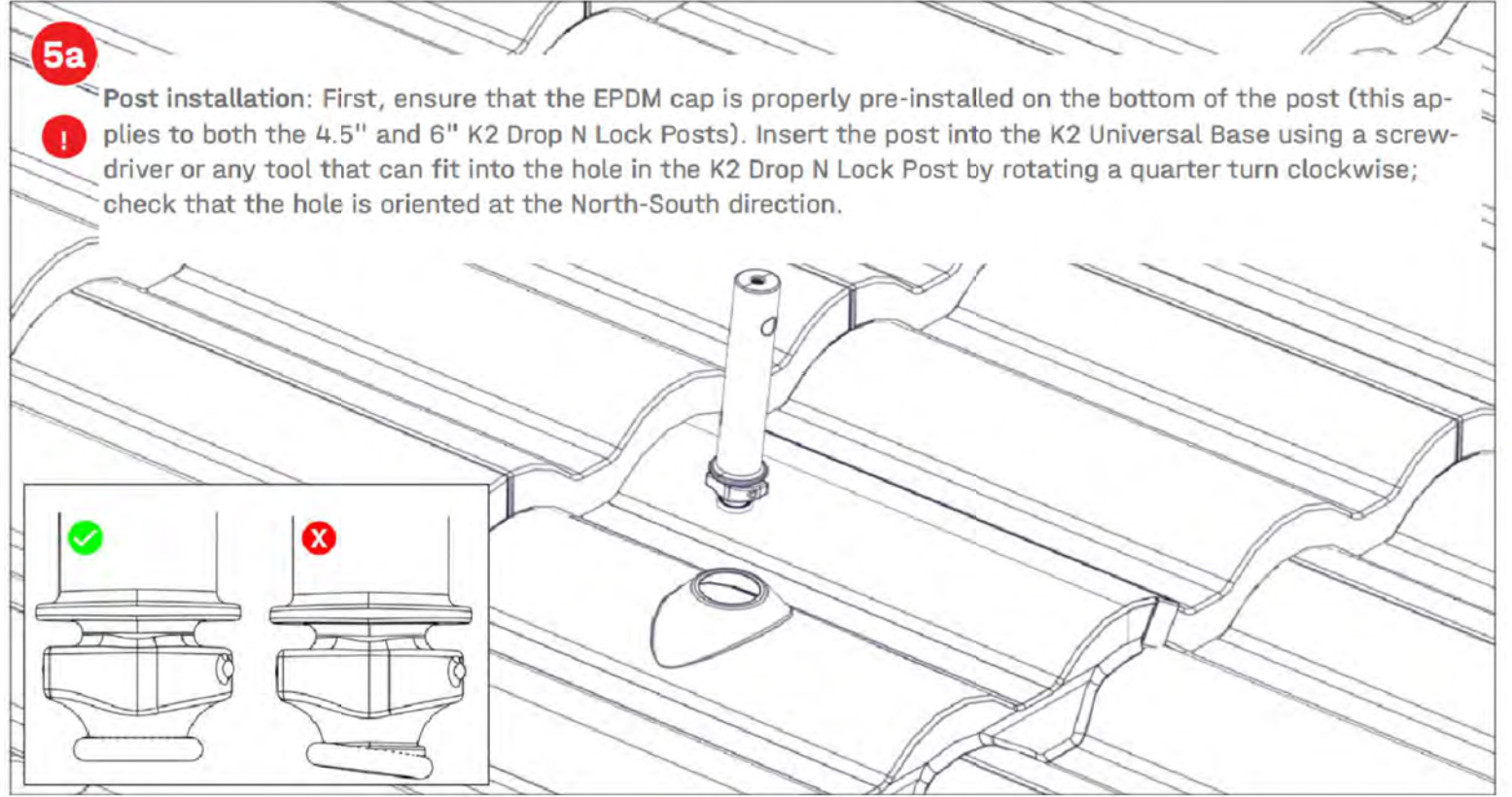
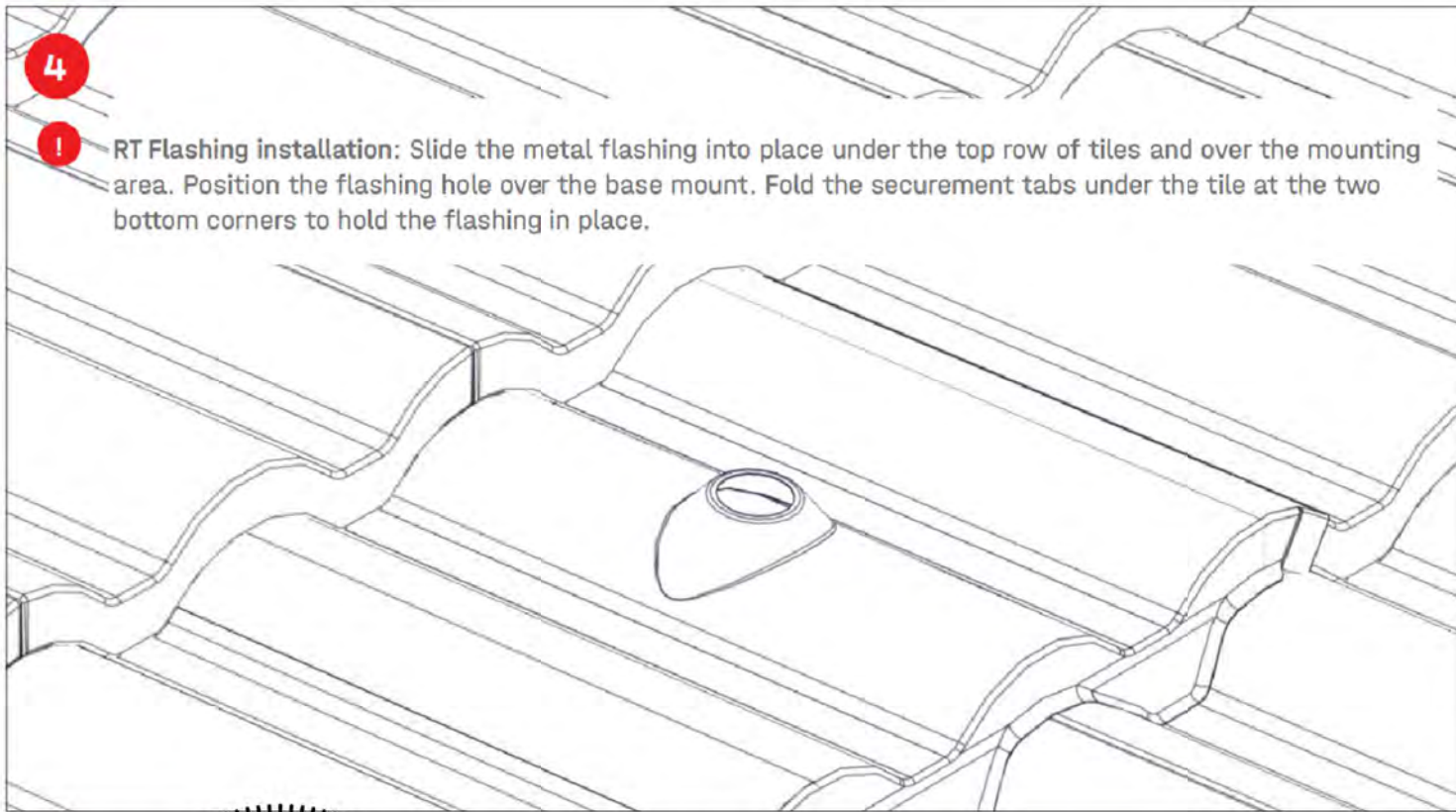
DROP N LOCK KIT ASSEMBLY

REVISION	DATE	DESCRIPTION
A	1/30/24	

DRAWN BY
A. VIZCARRA

Project:

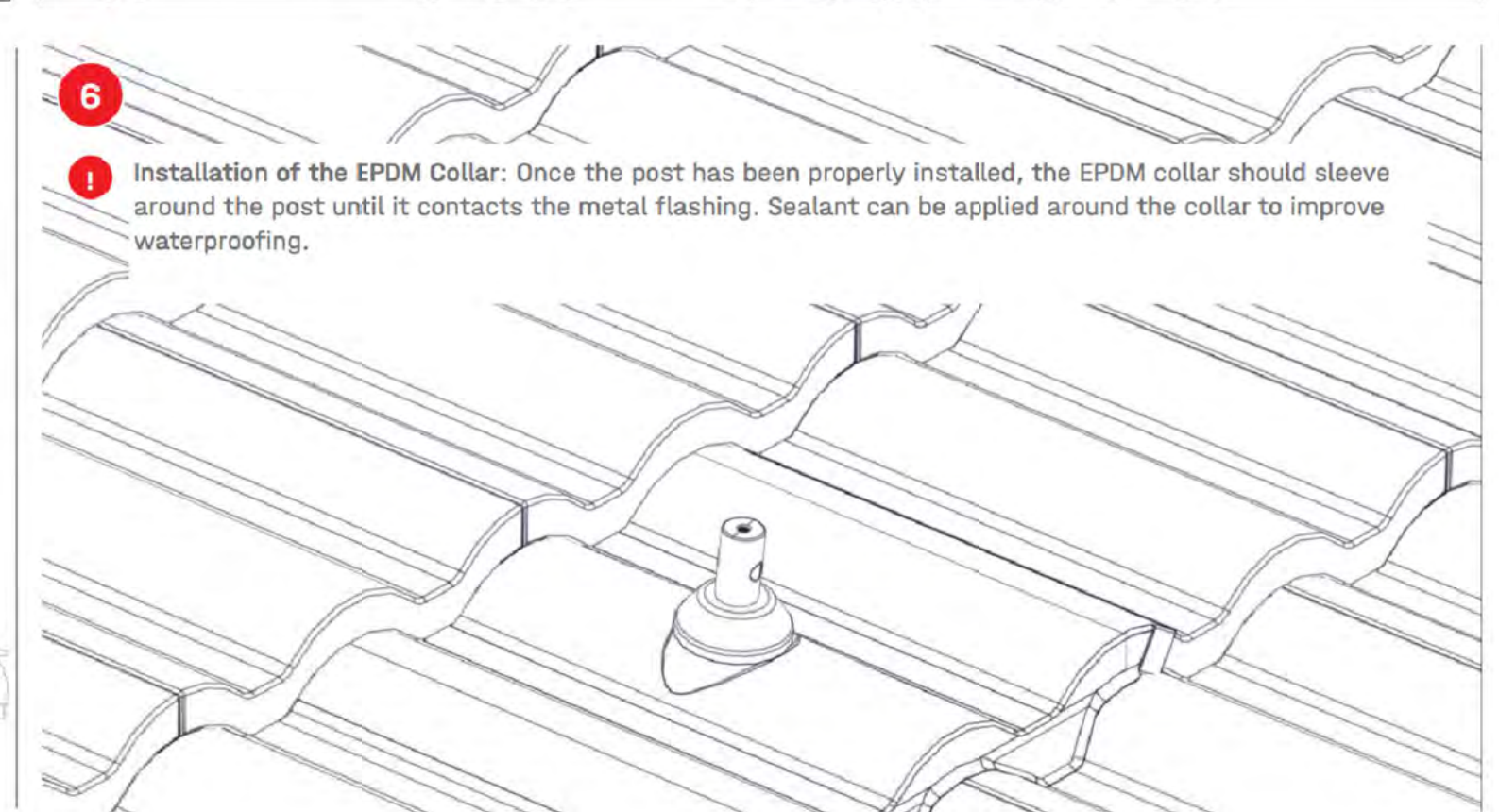
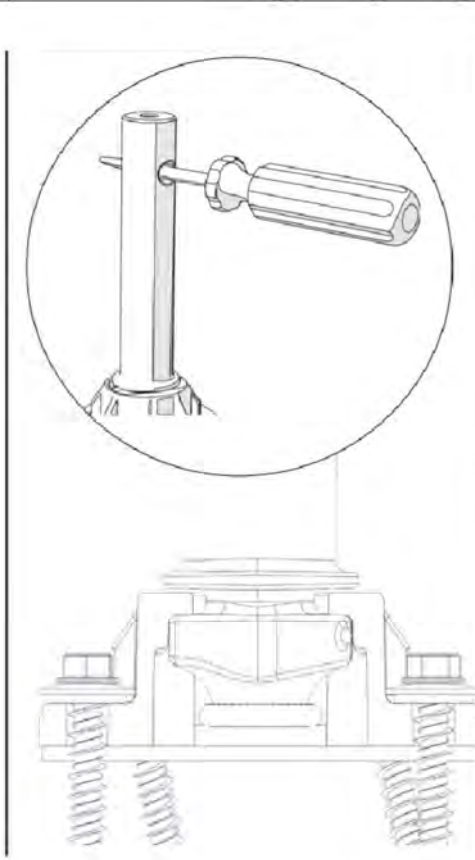
Miami Dade County NOA



5b

03/22/2024

PRODUCT REVISED
 as complying with the Florida Building Code
 NOA-No. 24-0401.04
 Expiration Date 02/17/2027
 By *[Signature]*
 Miami-Dade Product Control



K2 systems
 K2 Systems
 3809 Ocean Ranch Blvd. Suite 111
 Oceanside, CA 92056
 phone 760.301.5300

Description:
DROP N LOCK KIT ASSEMBLY

REVISION	DATE	DESCRIPTION
A	1/30/24	

DRAWN BY
 A. VIZCARRA

Project:
 Miami Dade County NOA